



PE449T-300-4-BB

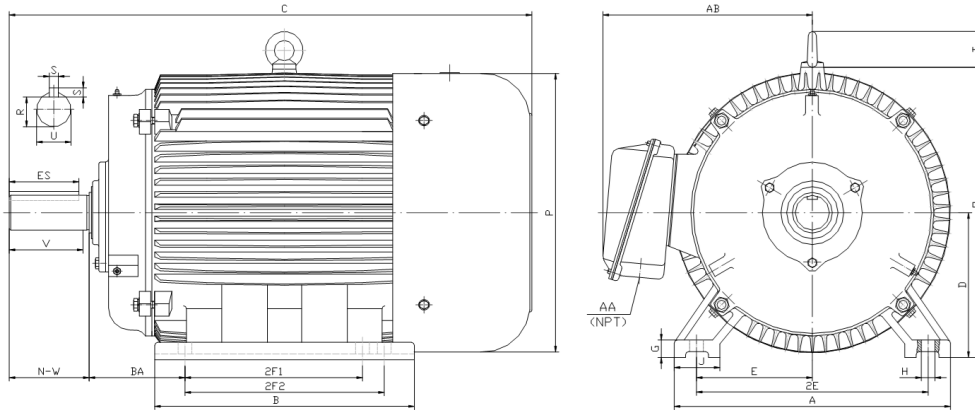
GENERAL PURPOSE ELECTRIC MOTOR

NEMA PREMIUM EFFICIENCY

TOTALLY ENCLOSED FAN COOLED

INVERTER DUTY 10:1 CT; 20:1 VT - NEMA MG1 PART 31

Factory Certified for T2B Class I, Division II, Groups A,B,C & D and Class II, Division II, Groups F & G



DIMENSIONS

HP	RPM	Frame	MOUNTING														
			A	B	C	D	G	H	J	E	2E	2F1	2F2	O	P	T	BA
300	1800	449T	21.7	31.4	52.8	11	1.35	0.81	3.35	9	18	20	25	23	23.4	3	7.5

Shaft Extension, Key Set						Conduit Box		Bearings		Mount
U	V	R	S	ES	N-W	AA	AB	DE	ODE	
3.375	8.25	2.88	0.875	6.91	8.5	3	19.9	6319	6318	F1

BEARING LUBRICATION: The bearings come lubricated with Mobil Polyrex EM Polyurea Grease. It is recommended that you add some additional lubrication when the motor is installed.

Three options (brands) for suitable lubrication include, but are not limited to, the following:

- 1.) Mobil Polyrex EM
- 2.) Citco Polyurea MP
- 3.) Conoco Phillips Polytac EP





PE449T-300-4-BB

GENERAL PURPOSE ELECTRIC MOTOR

NEMA PREMIUM EFFICIENCY

TOTALLY ENCLOSED FAN COOLED

INVERTER DUTY 10:1 CT; 20:1 VT - NEMA MG1 PART 31

Factory Certified for T2B Class I, Division II, Groups A,B,C & D and Class II, Division II, Groups F & G

PERFORMANCE DATA

HP	RPM	Frame	Voltage	Frequency (Hz)	Full Load S.F.	Insulation Class	NEMA Design	Slip (%)	NEMA Code	Enclosure Type	IP Rating	Max. Ambient
300	1790	449T	460	60	1.15	F	B	0.6	G	TEFC	55	40 °C

Amps (460V)		Efficiency (%)			Power Factor			Torque (ft-lb)			DE Bearing	ODE Bearing	Connection	Weight (lbs.)
FLA	LRA	100%	75%	50%	100%	75%	50%	FLT	LRT %	BDT %				
330	2200	96.2	96.0	95.6	0.87	0.86	0.80	885.37	140	245	6319	6318	6 Lead Δ	2196

NAME PLATE

		AC INDUCTION MOTOR INVERTER DUTY 20:1 VT; 10:1 CT								CONNECTION DIAGRAMS														
CAT NO.		PE449T-300-4-BB				FRAME		449T		PHASE		3		Across The Line 										
HZ		60		S.F.		1.15		HZ		50		S.F.		1.0		ENCL		TEFC		IP		55		
HP		300		RPM		1790		HP		300		RPM		1488		DUTY CONT		DES		B				
VOLTS		460				VOLTS		380				AMB		40 °C		INS		F		PWS Run 				
AMPS		330				AMPS		411				DE BRG		6319										
CODE		G		P.F.		0.87		CODE		F		P.F.		0.87		ODE BRG		6318						
EFF		96.2		MIN		95.4		EFF		95.0		MIN		94.2		LUB: Mobil Polyrex EM								
MOTOR WEIGHT		2196		LBS		CONNECTION				6 Lead Δ				SER NO										
General purpose use on industrial machinery installed in damp, dusty or dirty environments. Hernando, Mississippi												CC082A 272709												

APPLICATIONS:

General purpose use on pumps, fans, blowers, compressors, conveyors, material handling and other industrial machinery installed in damp, dusty or dirty environments.