



PE449T-300-4C

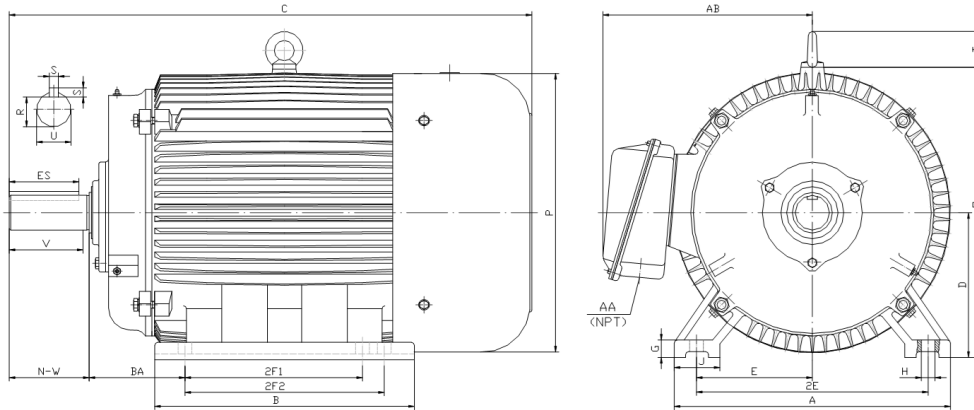
CRUSHER DUTY ELECTRIC MOTOR

NEMA PREMIUM EFFICIENCY

TOTALLY ENCLOSED FAN COOLED

INVERTER DUTY 10:1 CT; 20:1 VT - NEMA MG1 PART 31

Factory Certified for T2B Class I, Division II, Groups A,B,C & D and Class II, Division II, Groups F & G



DIMENSIONS

HP	RPM	Frame	MOUNTING														
			A	B	C	D	G	H	J	E	2E	2F1	2F2	O	P	T	BA
300	1800	449T	21.7	31.4	52.8	11	1.35	0.81	3.35	9	18	20	25	23	23.4	3	7.5

Shaft Extension, Key Set						Conduit Box		Bearings		Mount
U	V	R	S	ES	N-W	AA	AB	DE	ODE	
3.375	8.25	2.88	0.875	6.91	8.5	3	19.9	NU319	6318	F1

BEARING LUBRICATION: The bearings come lubricated with Mobil Polyrex EM Polyurea Grease. It is recommended that you add some additional lubrication when the motor is installed.

Three options (brands) for suitable lubrication include, but are not limited to, the following:

- 1.) Mobil Polyrex EM
- 2.) Citco Polyurea MP
- 3.) Conoco Phillips Polytac EP





PE449T-300-4C

CRUSHER DUTY ELECTRIC MOTOR

NEMA PREMIUM EFFICIENCY

TOTALLY ENCLOSED FAN COOLED

INVERTER DUTY 10:1 CT; 20:1 VT - NEMA MG1 PART 31

Factory Certified for T2B Class I, Division II, Groups A,B,C & D and Class II, Division II, Groups F & G

PERFORMANCE DATA

HP	RPM	Frame	Voltage	Frequency (Hz)	Full Load S.F.	Insulation Class	NEMA Design	Slip (%)	NEMA Code	Enclosure Type	IP Rating	Max. Ambient
300	1790	449T	460	60	1.15	F	C	0.6	G	TEFC	55	40 °C

Amps (460V)		Efficiency (%)			Power Factor			Torque (ft-lb)			DE Bearing	ODE Bearing	Connection	Weight (lbs.)
FLA	LRA	100%	75%	50%	100%	75%	50%	FLT	LRT %	BDT %	NU319	6318	6 Lead Δ	2200
335	2200	96.2	96.0	95.3	0.87	0.86	0.80	885	200	240				

NAME PLATE

		AC INDUCTION MOTOR INVERTER DUTY 20:1 VT; 10:1 CT								CONNECTION DIAGRAMS				
CAT NO. PE449T-300-4C		FRAME 449T		PHASE 3								Across The Line 		
HZ 60	S.F. 1.15	HZ 50	S.F. 1.0	ENCL TEFC	IP 55							PWS Start 		
HP 300	RPM 1790	HP 300	RPM 1488	DUTY CONT	DES C							PWS Run 		
VOLTS 460		VOLTS 380		AMB 40 °C	INS F									
AMPS 335		AMPS 405		DE BRG	NU319									
CODE G	P.F. 0.87	CODE F	P.F. 0.89	ODE BRG	6318									
EFF 96.2	MIN 95.4	EFF 95.0	MIN 94.2	LUB: Mobil Polyrex EM										
MOTOR WEIGHT 2200 LBS	CONNECTION 6 Lead Δ		SER NO											
Special purpose use on crushing and pulverizing equipment. Hernando, Mississippi								CC082A						

APPLICATIONS:

Special purpose use on crushing and pulverizing equipment. Other industrial machinery requiring extremely high starting torques and breakdown torques. Suitable for use with variable frequency drives.