

## PE587UZ-300-4C

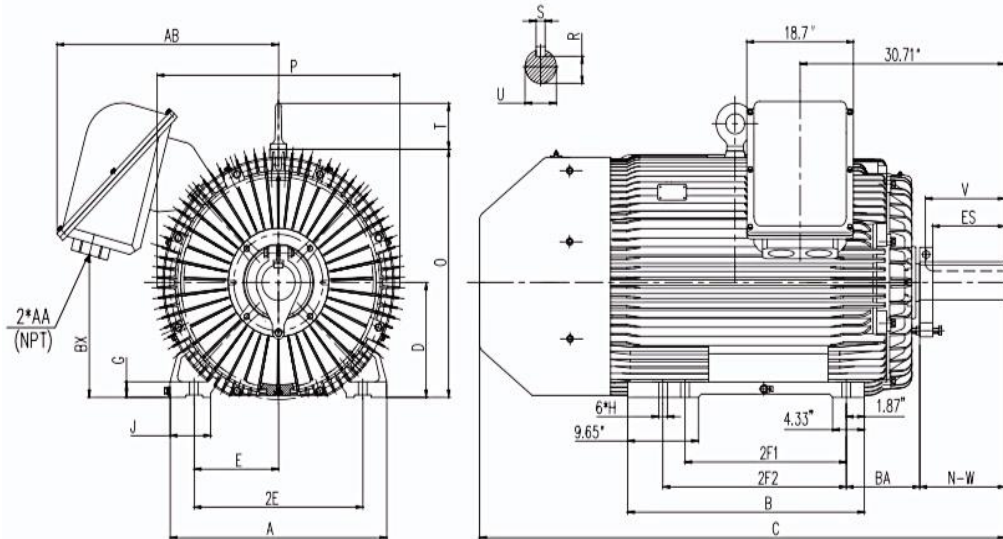
CRUSHER DUTY MOTOR

HIGH TORQUE / HIGH EFFICIENCY DESIGN

TOTALLY ENCLOSED FAN COOLED

HEAVY DUTY CAST IRON CONSTRUCTION

Factory Certified for T2B Class I, Division II, Groups A,B,C & D and Class II, Division II, Groups F & G



### DIMENSIONS

HP	RPM	Frame	MOUNTING														
			A	B	C	D	G	H	J	E	2E	2F1	2F2	O	P	T	BA
300	1800	587UZ	29.53	32.3	71.65	14.5	1.97	1.18	5.51	11.5	23	22	25	41.44	33.07	5.8	10

Shaft Extension, Key Set						Conduit Box			Bearings		Mount
U	V	R	S	ES	N-W	AA	AB	BX	DE	ODE	
4.375	11.25	3.817	1	10	11.625	2 X 3"	28.15	18.82	NU324	6319	F1

**BEARING LUBRICATION:** The bearings come lubricated with Mobil Polyrex EM Polyurea Grease. It is recommended that you add some additional lubrication when the motor is installed.

Three options (brands) for suitable lubrication include, but are not limited to, the following:

- 1.) Mobil Polyrex EM
- 2.) Citco Polyurea MP
- 3.) Conoco Phillips Polytac EP





## PE587UZ-300-4C

**CRUSHER DUTY MOTOR**

**HIGH TORQUE / HIGH EFFICIENCY DESIGN**

**TOTALLY ENCLOSED FAN COOLED**

**HEAVY DUTY CAST IRON CONSTRUCTION**


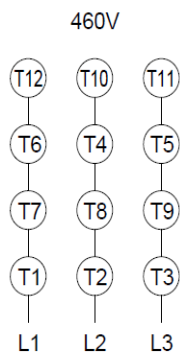


**Factory Certified for T2B Class I, Division II, Groups A,B,C & D and Class II, Division II, Groups F & G**

### PERFORMANCE DATA

HP	RPM	Frame	Voltage	Frequency (Hz)	Full Load S.F.	Insulation Class	NEMA Design	Slip (%)	NEMA Code	Enclosure Type	IP Rating	Max. Ambient
300	1788	587UZ	460	60	1.15	F	C	0.7	G	TEFC	55	40 °C

Amps (460V)		Efficiency (%)			Power Factor			Torque (ft-lb)			DE Bearing	ODE Bearing	Connection	Weight (lbs.)
FLA	LRA	100%	75%	50%	100%	75%	50%	FLT	LRT %	BDT %				
322.3	2200	95.4	95.0	94.6	0.89	0.84	0.81	882	200	250	NU324	6319	12 Lead Δ	4615.6

### NAME PLATE

 <b>AC INDUCTION MOTOR</b> HIGH EFFICIENCY DESIGN CRUSHER DUTY MOTOR										CONNECTION DIAGRAMS			
CAT. NO. PE587UZ-300-4C			FRAME 587UZ		PHASE 3		ENCL. TEFC			460V 			
RATING CONT			INS. CLASS F		CONN. 12 Lead Δ								
DE BRG. NU324			ODE BRG. 6319		LUB. Mobil Polyrex EM								
MAX. AMB. 40 °C			WEIGHT 4615.6		SER.								
HP 300			RPM 1788		HP 300		RPM 1490						
VOLTS 460			VOLTS 380		F.L. AMPS 322.3			F.L. AMPS 390.2					
S.F. AMPS 370.645			S.F. AMPS 390.2		S.F. 1.15			DESIGN C		CODE G			
S.F. 1.15			DESIGN C		CODE G		S.F. 1.0			DESIGN C		CODE H	
NEMA NOM.EFF 95.0			NOM. P.F. 0.84		NEMA NOM.EFF 95.1			NOM. P.F. 0.89					
NEMA MIN.EFF 94.5			MAX. KVAR 38.6		NEMA MIN.EFF 94.4			MAX. KVAR 41.2					
PLATINUM RTD 3XPT100					SPACE HEATER 1X200W 115V(H1,H2)								
Designed specifically for use on crushing and pulverizing equipment and other equipment requiring extremely high starting torques and breakdown torques.					  CC041B								
Hernando, MS 38632													

### APPLICATIONS:

Special purpose use on crushing and pulverizing equipment and other industrial equipment requiring extremely high starting torques and breakdown torques.