

## PE587UZ-350-4C

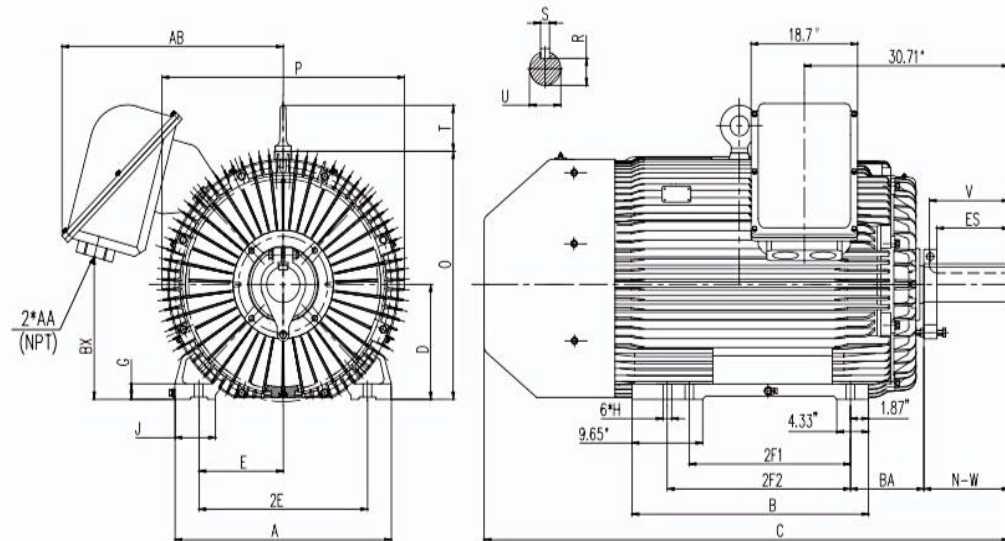
CRUSHER DUTY MOTOR

HIGH TORQUE / PREMIUM EFFICIENCY DESIGN

TOTALLY ENCLOSED FAN COOLED

HEAVY DUTY CAST IRON CONSTRUCTION

Factory Certified for T2B Class I, Division II, Groups A,B,C & D and Class II, Division II, Groups F & G



### DIMENSIONS

HP	RPM	Frame	MOUNTING														
			A	B	C	D	G	H	J	E	2E	2F1	2F2	O	P	T	BA
350	1800	587UZ	29.53	32.3	71.65	14.5	1.97	1.18	5.51	11.5	23	22	25	41.44	33.07	5.8	10

Shaft Extension, Key Set						Conduit Box			Bearings		Mount
U	V	R	S	ES	N-W	AA	AB	BX	DE	ODE	
4.375	11.25	3.817	1	10	11.625	2 X 3"	28.15	18.82	NU324	6319	F1

**BEARING LUBRICATION:** The bearings come lubricated with Mobil Polyrex EM Polyurea Grease. It is recommended that you add some additional lubrication when the motor is installed.

Three options (brands) for suitable lubrication include, but are not limited to, the following:

- 1.) Mobil Polyrex EM
- 2.) Citco Polyurea MP
- 3.) Conoco Phillips Polytac EP



## PE587UZ-350-4C

**CRUSHER DUTY MOTOR**

**HIGH TORQUE / PREMIUM EFFICIENCY DESIGN**

**TOTALLY ENCLOSED FAN COOLED**

**HEAVY DUTY CAST IRON CONSTRUCTION**

**Factory Certified for T2B Class I, Division II, Groups A,B,C & D and Class II, Division II, Groups F & G**

### PERFORMANCE DATA

HP	RPM	Frame	Voltage	Frequency (Hz)	Full Load S.F.	Insulation Class	NEMA Design	Slip (%)	NEMA Code	Enclosure Type	IP Rating	Max. Ambient
350	1788	587UZ	460	60	1.15	F	C	0.7	G	TEFC	55	40 °C

Amps (460V)		Efficiency (%)			Power Factor			Torque (ft-lb)			DE Bearing	ODE Bearing	Connection	Weight (lbs.)
FLA	LRA	100%	75%	50%	100%	75%	50%	FLT	LRT %	BDT %				
378.5	2550	96.2	95.8	95.2	0.88	0.86	0.82	1029	200	270	NU324	6319	12 Lead Δ	4846.6

### NAME PLATE

<b>AC INDUCTION MOTOR</b> HIGH EFFICIENCY DESIGN CRUSHER DUTY MOTOR										CONNECTION DIAGRAMS							
CAT. NO.		PE587UZ-350-4C			FRAME		587UZ		PHASE	3	ENCL.		TEFC		<div style="text-align: center;">460V</div> <div style="display: flex; justify-content: space-around;"> <div style="text-align: center;">             T12 T6 T7 T1 L1           </div> <div style="text-align: center;">             T10 T4 T8 T2 L2           </div> <div style="text-align: center;">             T11 T5 T9 T3 L3           </div> </div>		
RATING		CONT			INS. CLASS		F		CONN.		12 Lead Δ						
DE BRG.		NU324			ODE BRG.		6319		LUB.		Mobil Polyrex EM						
MAX. AMB.		40 °C			WEIGHT		4846.6		SER.								
HP		350		RPM		1788		HP		350		RPM		1490			
VOLTS		460						VOLTS		380							
F.L. AMPS		378.5						F.L. AMPS		458.2							
S.F. AMPS		435.275						S.F. AMPS		458.2							
S.F.		1.15	DESIGN	C	CODE	G	S.F.		1.0	DESIGN	C	CODE	H				
NEMA NOM.EFF		95.8		NOM. P.F.		0.86		NEMA NOM.EFF		95.1		NOM. P.F.		0.88			
NEMA MIN.EFF		95.4		MAX. KVAR		43.0		NEMA MIN.EFF		94.4		MAX. KVAR		45.1			
PLATINUM RTD 3XPT100						SPACE HEATER 1X200W 115V(H1,H2)											
Designed specifically for use on crushing and pulverizing equipment and other equipment requiring extremely high starting torques and breakdown torques. Hernando, MS 38632						<b>CC041B</b>											

### APPLICATIONS:

Special purpose use on crushing and pulverizing equipment and other industrial equipment requiring extremely high starting torques and breakdown torques.