

PE587UZ-400-6C

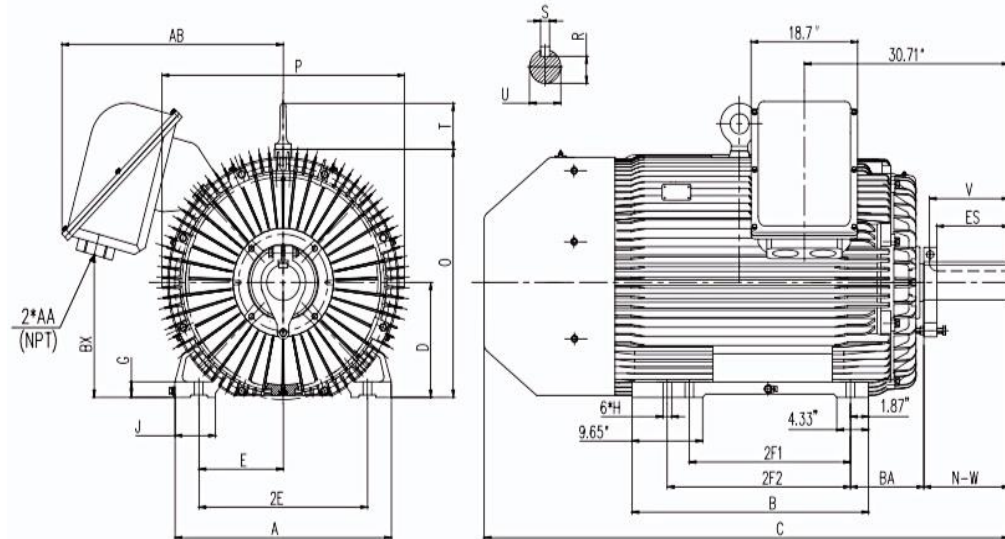
CRUSHER DUTY MOTOR

HIGH TORQUE / PREMIUM EFFICIENCY DESIGN

TOTALLY ENCLOSED FAN COOLED

HEAVY DUTY CAST IRON CONSTRUCTION

Factory Certified for T2B Class I, Division II, Groups A,B,C & D and Class II, Division II, Groups F & G



DIMENSIONS

HP	RPM	Frame	MOUNTING														
			A	B	C	D	G	H	J	E	2E	2F1	2F2	O	P	T	BA
400	1200	587UZ	29.53	32.3	71.65	14.5	1.97	1.18	5.51	11.5	23	22	25	41.44	33.07	5.8	10

Shaft Extension, Key Set						Conduit Box			Bearings		Mount
U	V	R	S	ES	N-W	AA	AB	BX	DE	ODE	
4.375	11.25	3.817	1	10	11.625	2 X 3"	28.15	18.82	NU324	6319	F1

BEARING LUBRICATION: The bearings come lubricated with Mobil Polyrex EM Polyurea Grease. It is recommended that you add some additional lubrication when the motor is installed.

Three options (brands) for suitable lubrication include, but are not limited to, the following:

- 1.) Mobil Polyrex EM
- 2.) Citco Polyurea MP
- 3.) Conoco Phillips Polytac EP





PE587UZ-400-6C

CRUSHER DUTY MOTOR

HIGH TORQUE / PREMIUM EFFICIENCY DESIGN

TOTALLY ENCLOSED FAN COOLED

HEAVY DUTY CAST IRON CONSTRUCTION



Factory Certified for T2B Class I, Division II, Groups A,B,C & D and Class II, Division II, Groups F & G

PERFORMANCE DATA

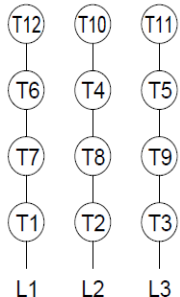
HP	RPM	Frame	Voltage	Frequency (Hz)	Full Load S.F.	Insulation Class	NEMA Design	Slip (%)	NEMA Code	Enclosure Type	IP Rating	Max. Ambient
400	1189	587UZ	460	60	1.15	F	C	0.9	G	TEFC	55	40 °C

Amps (460V)		Efficiency (%)			Power Factor			Torque (ft-lb)			DE Bearing	ODE Bearing	Connection	Weight (lbs.)
FLA	LRA	100%	75%	50%	100%	75%	50%	FLT	LRT %	BDT %	NU324	6319	12 Lead Δ	5940
448.6	2900	95.8	95.5	95.0	0.86	0.83	0.77	1769	200	230				

NAME PLATE

 AC INDUCTION MOTOR HIGH EFFICIENCY DESIGN CRUSHER DUTY MOTOR										CONNECTION DIAGRAMS						
CAT. NO.		PE587UZ-400-6C			FRAME		587UZ		PHASE	3	ENCL.		TEFC			
RATING			CONT		INS. CLASS			F		CONN.			12 Lead Δ			
DE BRG.		NU324			ODE BRG.		6319		LUB.			Mobil Polyrex EM				
MAX. AMB.		40 °C			WEIGHT			5940		SER.						
60 HERTZ DATA	HP		400		RPM		1189		HP		400		RPM		990	
	VOLTS				460				VOLTS				380			
	F.L. AMPS				448.6				F.L. AMPS				543			
	S.F. AMPS				515.89				S.F. AMPS				543			
	S.F.		1.15	DESIGN	C	CODE	G	S.F.		1.0	DESIGN	C	CODE	H		
	NEMA NOM.EFF		95.5		NOM. P.F.		0.83		NEMA NOM.EFF		95.0		NOM. P.F.		0.86	
NEMA MIN.EFF		95.0		MAX. KVAR		64.7		NEMA MIN.EFF		94.3		MAX. KVAR		66.2		
PLATINUM RTD 3XPT100					SPACE HEATER 1X200W 115V(H1,H2)											
Designed specifically for use on crushing and pulverizing equipment and other equipment requiring extremely high starting torques and breakdown torques.					ISO9001 CERTIFIED		 C US 232051		CC041B							
Hernando, MS 38632																

460V



L1 L2 L3

APPLICATIONS:

Special purpose use on crushing and pulverizing equipment and other industrial equipment requiring extremely high starting torques and breakdown torques.