

PE587UZ-450-4C-BB

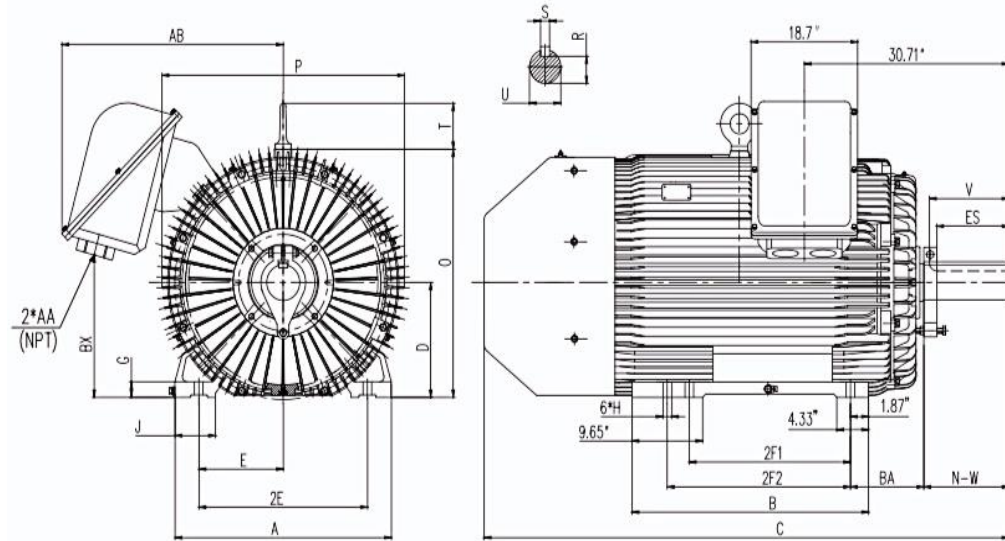
CRUSHER DUTY MOTOR

HIGH TORQUE / PREMIUM EFFICIENCY DESIGN

TOTALLY ENCLOSED FAN COOLED

HEAVY DUTY CAST IRON CONSTRUCTION

Factory Certified for T2B Class I, Division II, Groups A,B,C & D and Class II, Division II, Groups F & G



DIMENSIONS

HP	RPM	Frame	MOUNTING														
			A	B	C	D	G	H	J	E	2E	2F1	2F2	O	P	T	BA
450	1800	587UZ	29.53	32.3	71.65	14.5	1.97	1.18	5.51	11.5	23	22	25	41.44	33.07	5.8	10

Shaft Extension, Key Set						Conduit Box			Bearings		Mount
U	V	R	S	ES	N-W	AA	AB	BX	DE	ODE	
4.375	11.25	3.817	1	10	11.625	2 X 3"	28.15	18.82	6324	6319	F1

BEARING LUBRICATION: The bearings come lubricated with Mobil Polyrex EM Polyurea Grease. It is recommended that you add some additional lubrication when the motor is installed.

Three options (brands) for suitable lubrication include, but are not limited to, the following:

- 1.) Mobil Polyrex EM
- 2.) Citco Polyurea MP
- 3.) Conoco Phillips Polytac EP



PE587UZ-450-4C-BB

CRUSHER DUTY MOTOR

HIGH TORQUE / PREMIUM EFFICIENCY DESIGN

TOTALLY ENCLOSED FAN COOLED

HEAVY DUTY CAST IRON CONSTRUCTION

Factory Certified for T2B Class I, Division II, Groups A,B,C & D and Class II, Division II, Groups F & G

PERFORMANCE DATA

HP	RPM	Frame	Voltage	Frequency (Hz)	Full Load S.F.	Insulation Class	NEMA Design	Slip (%)	NEMA Code	Enclosure Type	IP Rating	Max. Ambient
450	1789	587UZ	460	60	1.15	F	C	0.6	G	TEFC	55	40 °C

Amps (460V)		Efficiency (%)			Power Factor			Torque (ft-lb)			DE Bearing	ODE Bearing	Connection	Weight (lbs.)
FLA	LRA	100%	75%	50%	100%	75%	50%	FLT	LRT %	BDT %				
487.2	3250	96.2	95.8	95.4	0.90	0.88	0.83	1323	200	230	6324	6319	12 Lead Δ	5370.2

NAME PLATE

										AC INDUCTION MOTOR HIGH EFFICIENCY DESIGN CRUSHER DUTY MOTOR										CONNECTION DIAGRAMS		
CAT. NO. PE587UZ-450-4C-BB				FRAME 587UZ				PHASE 3		ENCL. TEFC				460V 								
RATING CONT				INS. CLASS F				CONN. 12 Lead Δ														
DE BRG. 6324				ODE BRG. 6319				LUB. Mobil Polyrex EM														
MAX. AMB. 40 °C				WEIGHT 5370.2				SER.														
60 HERTZ DATA		HP 450		RPM 1789		HP 450		RPM 1490		50 HERTZ DATA												
		VOLTS 460				VOLTS 380																
		F.L. AMPS 487.2				F.L. AMPS 589.8																
		S.F. AMPS 560.28				S.F. AMPS 589.8																
		S.F. 1.15		DESIGN C		CODE G		S.F. 1.0							DESIGN C		CODE H					
		NEMA NOM.EFF 95.8		NOM. P.F. 0.88		NEMA NOM.EFF 95.1		NOM. P.F. 0.90														
NEMA MIN.EFF 95.4		MAX. KVAR 49.4		NEMA MIN.EFF 94.4		MAX. KVAR 51.6																
PLATINUM RTD 3XPT100						SPACE HEATER 1X200W 115V(H1,H2)																
Designed specifically for use on crushing and pulverizing equipment and other equipment requiring extremely high starting torques and breakdown torques. Hernando, MS 38632												CC041B										

APPLICATIONS:

Special purpose use on crushing and pulverizing equipment and other industrial equipment requiring extremely high starting torques and breakdown torques.