

PE587UZ-500-4C

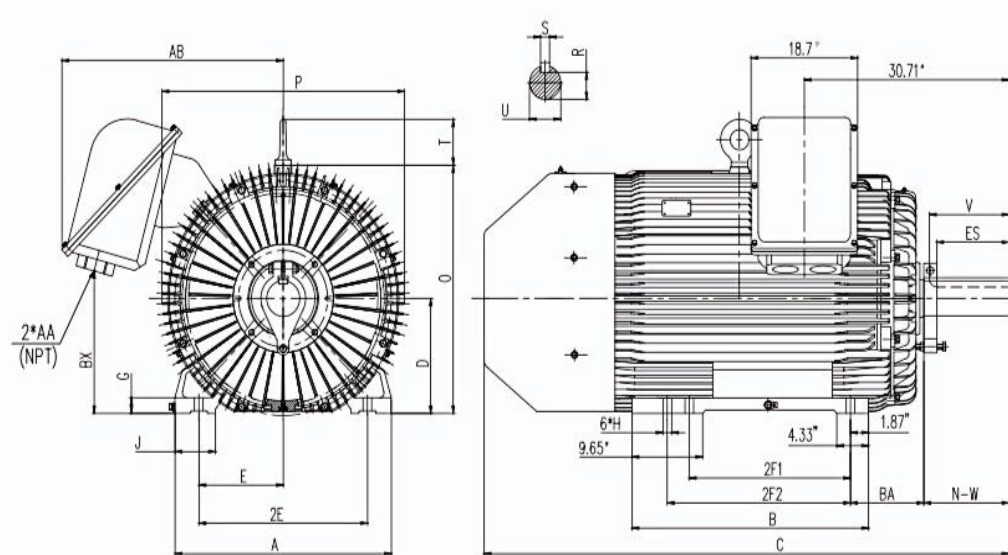
CRUSHER DUTY MOTOR

HIGH TORQUE / PREMIUM EFFICIENCY DESIGN

TOTALLY ENCLOSED FAN COOLED

HEAVY DUTY CAST IRON CONSTRUCTION

Factory Certified for T2B Class I, Division II, Groups A,B,C & D and Class II, Division II, Groups F & G



DIMENSIONS

HP	RPM	Frame	MOUNTING														
			A	B	C	D	G	H	J	E	2E	2F1	2F2	O	P	T	BA
500	1800	587UZ	29.53	32.3	71.65	14.5	1.97	1.18	5.51	11.5	23	22	25	41.44	33.07	5.8	10

Shaft Extension, Key Set						Conduit Box			Bearings		Mount
U	V	R	S	ES	N-W	AA	AB	BX	DE	ODE	
4.375	11.25	3.817	1	10	11.625	2 X 3"	28.15	18.82	NU324	6319	F1

BEARING LUBRICATION: The bearings come lubricated with Mobil Polyrex EM Polyurea Grease. It is recommended that you add some additional lubrication when the motor is installed.

Three options (brands) for suitable lubrication include, but are not limited to, the following:

- 1.) Mobil Polyrex EM
- 2.) Citco Polyurea MP
- 3.) Conoco Phillips Polytac EP





PE587UZ-500-4C

CRUSHER DUTY MOTOR

HIGH TORQUE / PREMIUM EFFICIENCY DESIGN

TOTALLY ENCLOSED FAN COOLED

HEAVY DUTY CAST IRON CONSTRUCTION

Factory Certified for T2B Class I, Division II, Groups A,B,C & D and Class II, Division II, Groups F & G

PERFORMANCE DATA

HP	RPM	Frame	Voltage	Frequency (Hz)	Full Load S.F.	Insulation Class	NEMA Design	Slip (%)	NEMA Code	Enclosure Type	IP Rating	Max. Ambient
500	1790	587UZ	460	60	1.15	F	C	0.6	G	TEFC	55	40 °C

Amps (460V)		Efficiency (%)			Power Factor			Torque (ft-lb)			DE Bearing	ODE Bearing	Connection	Weight (lbs.)
FLA	LRA	100%	75%	50%	100%	75%	50%	FLT	LRT %	BDT %				
558.1	3625	96.2	95.8	95.4	0.90	0.89	0.86	1469	200	275	NU324	6319	12 Lead Δ	5687

NAME PLATE

AC INDUCTION MOTOR HIGH EFFICIENCY DESIGN CRUSHER DUTY MOTOR										CONNECTION DIAGRAMS													
CAT. NO.		PE587UZ-500-4C			FRAME		587UZ		PHASE	3	ENCL.		TEFC		460V 								
RATING			CONT		INS. CLASS			F		CONN.			12 Lead Δ										
DE BRG.			NU324		ODE BRG.			6319		LUB.			Mobil Polyrex EM										
MAX. AMB.			40 °C		WEIGHT			5687		SER.													
HP		500		RPM		1790		HP		500		RPM		1491									
VOLTS				460						VOLTS				380									
F.L. AMPS				558.1						F.L. AMPS				675.6									
S.F. AMPS				641.815						S.F. AMPS				675.6									
S.F.		1.15		DESIGN		C		CODE		G		S.F.		1.0		DESIGN		C		CODE		H	
NEMA NOM.EFF			95.8			NOM. P.F.			0.89			NEMA NOM.EFF			95.1			NOM. P.F.			0.90		
NEMA MIN.EFF			95.4			MAX. KVAR			88.6			NEMA MIN.EFF			94.4			MAX. KVAR			92.3		
PLATINUM RTD 3XPT100						SPACE HEATER 1X200W 115V(H1,H2)																	
Designed specifically for use on crushing and pulverizing equipment and other equipment requiring extremely high starting torques and breakdown torques.												CC041B											
Hernando, MS 38632																							

APPLICATIONS:

Special purpose use on crushing and pulverizing equipment and other industrial equipment requiring extremely high starting torques and breakdown torques.