

PE587UZ-600-4C-BB

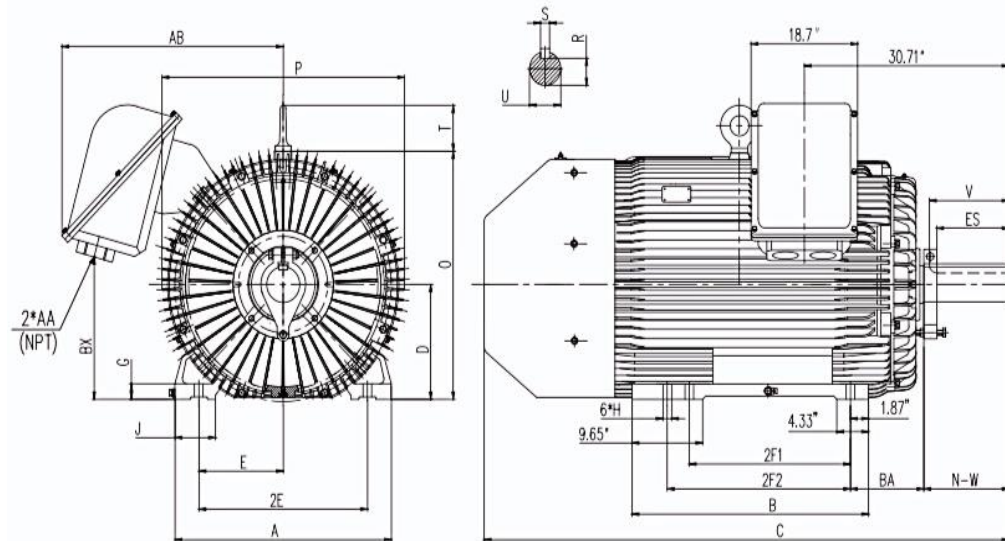
CRUSHER DUTY MOTOR

HIGH TORQUE / PREMIUM EFFICIENCY DESIGN

TOTALLY ENCLOSED FAN COOLED

HEAVY DUTY CAST IRON CONSTRUCTION

Factory Certified for T2B Class I, Division II, Groups A,B,C & D and Class II, Division II, Groups F & G



DIMENSIONS

HP	RPM	Frame	MOUNTING														
			A	B	C	D	G	H	J	E	2E	2F1	2F2	O	P	T	BA
600	1800	587UZ	29.53	32.3	71.65	14.5	1.97	1.18	5.51	11.5	23	22	25	41.44	33.07	5.8	10

Shaft Extension, Key Set						Conduit Box			Bearings		Mount
U	V	R	S	ES	N-W	AA	AB	BX	DE	ODE	
4.375	11.25	3.817	1	10	11.625	2 X 3"	28.15	18.82	6324	6319	F1

BEARING LUBRICATION: The bearings come lubricated with Mobil Polyrex EM Polyurea Grease. It is recommended that you add some additional lubrication when the motor is installed.

Three options (brands) for suitable lubrication include, but are not limited to, the following:

- 1.) Mobil Polyrex EM
- 2.) Citco Polyurea MP
- 3.) Conoco Phillips Polytac EP





PE587UZ-600-4C-BB

CRUSHER DUTY MOTOR

HIGH TORQUE / PREMIUM EFFICIENCY DESIGN

TOTALLY ENCLOSED FAN COOLED

HEAVY DUTY CAST IRON CONSTRUCTION


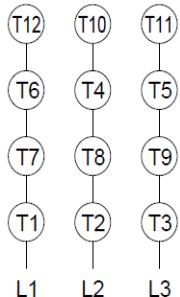


Factory Certified for T2B Class I, Division II, Groups A,B,C & D and Class II, Division II, Groups F & G

PERFORMANCE DATA

HP	RPM	Frame	Voltage	Frequency (Hz)	Full Load S.F.	Insulation Class	NEMA Design	Slip (%)	NEMA Code	Enclosure Type	IP Rating	Max. Ambient
600	1790	587UZ	460	60	1.15	F	C	0.6	E	TEFC	55	40 °C

Amps (460V)		Efficiency (%)			Power Factor			Torque (ft-lb)			DE Bearing	ODE Bearing	Connection	Weight (lbs.)
FLA	LRA	100%	75%	50%	100%	75%	50%	FLT	LRT %	BDT %				
669.6	3625	96.2	95.8	95.4	0.86	0.84	0.80	1762	200	250	6324	6319	12 Lead Δ	5946.6

NAME PLATE

										AC INDUCTION MOTOR HIGH EFFICIENCY DESIGN CRUSHER DUTY MOTOR										CONNECTION DIAGRAMS					
CAT. NO. PE587UZ-600-4C-BB				FRAME 587UZ				PHASE 3		ENCL. TEFC				<div style="text-align: center;">460V</div> 											
RATING CONT				INS. CLASS F				CONN. 12 Lead Δ																	
DE BRG. 6324				ODE BRG. 6319				LUB. Mobil Polyrex EM																	
MAX. AMB. 40 °C				WEIGHT 5946.6				SER.																	
HP 600		RPM 1790		HP 600		RPM 1491		VOLTS 460		VOLTS 380		F.L. AMPS 669.6								F.L. AMPS 810.6		S.F. AMPS 770.04		S.F. AMPS 810.6	
S.F. 1.15		DESIGN C		CODE E		S.F. 1.0		DESIGN C		CODE F		NEMA NOM.EFF 95.8		NOM. P.F. 0.84		NEMA NOM.EFF 95.1		NOM. P.F. 0.86							
NEMA MIN.EFF 95.4		MAX. KVAR 148.0		NEMA MIN.EFF 94.4		MAX. KVAR 84.5		PLATINUM RTD 3XPT100				SPACE HEATER 1X200W 115V(H1,H2)				  CC041B									
Designed specifically for use on crushing and pulverizing equipment and other equipment requiring extremely high starting torques and breakdown torques. Hernando, MS 38632																									

APPLICATIONS:

Special purpose use on crushing and pulverizing equipment and other industrial equipment requiring extremely high starting torques and breakdown torques.