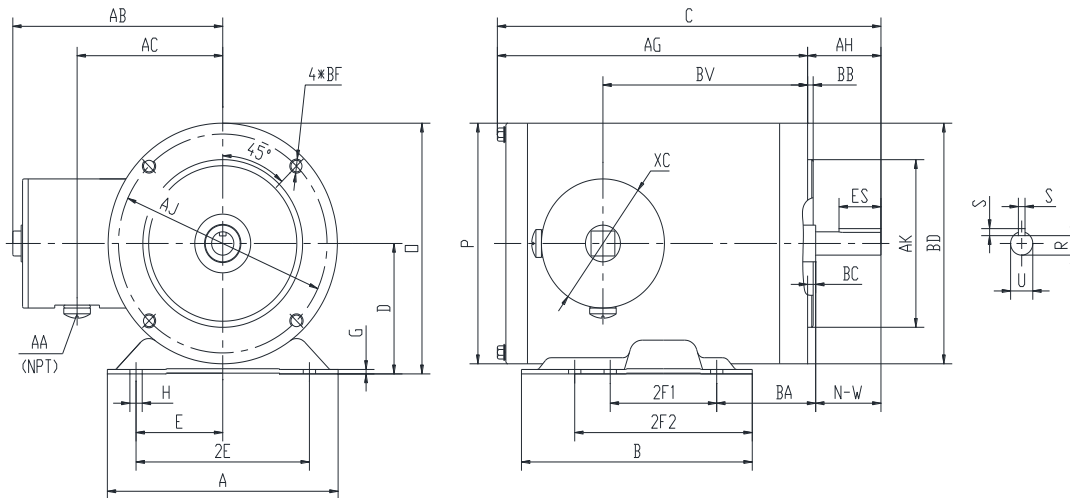


### PESS145TC1.5M-4-A-NV

**WASHDOWN DUTY MOTOR**  
**NEMA PREMIUM EFFICIENCY**  
**STAINLESS STEEL CONSTRUCTION - C-FLANGE WITH FEET**  
**TOTALLY ENCLOSED NON VENTILATED - IP66 CONSTRUCTION**  
**INVERTER DUTY 10:1 CT; 20:1 VT - NEMA MG1 PART 31**



#### DIMENSIONS

| HP  | RPM  | Frame | MOUNTING |     |       |     |       |           |      |     |     |     |      |      |     |      |
|-----|------|-------|----------|-----|-------|-----|-------|-----------|------|-----|-----|-----|------|------|-----|------|
|     |      |       | A        | B   | C     | D   | G     | H         | E    | 2E  | 2F1 | 2F2 | O    | P    | AG  | BA   |
| 1.5 | 1800 | 145TC | 6.5      | 6.5 | 12.02 | 3.5 | 0.118 | 1.22*0.34 | 2.75 | 5.5 | 3   | 5   | 6.73 | 6.45 | 9.9 | 2.75 |

| FLANGE |       |     |      |      |      |          | Shaft Extension, Key Set |       |       |      |      |
|--------|-------|-----|------|------|------|----------|--------------------------|-------|-------|------|------|
| AH     | AJ    | AK  | BB   | BC   | BD   | BF       | U                        | R     | S     | ES   | N-W  |
| 2.12   | 5.875 | 4.5 | 0.16 | 0.12 | 6.45 | 4*3/8-16 | 0.875                    | 0.771 | 0.188 | 1.41 | 2.25 |

| Conduit Box |      |     |      |      | Bearings |          | Mount |
|-------------|------|-----|------|------|----------|----------|-------|
| AA          | AB   | AC  | BV   | XC   | DE       | ODE      |       |
| 0.5         | 5.95 | 4.5 | 6.95 | 3.45 | 6205-2RS | 6205-2RS | F1    |

**BEARING LUBRICATION:** The bearings come lubricated with Mobil Polyrex EM Polyurea Grease.



## PESS145TC1.5M-4-A-NV

**WASHDOWN DUTY MOTOR**  
**NEMA PREMIUM EFFICIENCY**  
**STAINLESS STEEL CONSTRUCTION - C-FLANGE WITH FEET**  
**TOTALLY ENCLOSED NON VENTILATED - IP66 CONSTRUCTION**  
**INVERTER DUTY 10:1 CT; 20:1 VT - NEMA MG1 PART 31**


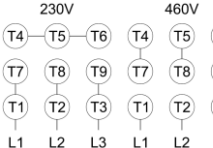



### PERFORMANCE DATA

| HP  | RPM  | Frame | Voltage | Frequency (Hz) | Full Load S.F. | Insulation Class | NEMA Design | Slip (%) | NEMA Code | Enclosure Type | IP Rating | Max. Ambient |
|-----|------|-------|---------|----------------|----------------|------------------|-------------|----------|-----------|----------------|-----------|--------------|
| 1.5 | 1755 | 145TC | 230/460 | 60             | 1.15           | F                | B           | 2.5      | M         | TENV           | 66        | 40 °C        |

| Amps (460V) |     | Efficiency (%) |      |      | Power Factor |      |      | Torque (ft-lb) |       |       | DE Bearing | ODE Bearing | Connection  | Weight (lbs.) |
|-------------|-----|----------------|------|------|--------------|------|------|----------------|-------|-------|------------|-------------|-------------|---------------|
| FLA         | LRA | 100%           | 75%  | 50%  | 100%         | 75%  | 50%  | FLT            | LRT % | BDT % |            |             |             |               |
| 2.2         | 20  | 86.5           | 86.0 | 83.0 | 0.74         | 0.67 | 0.53 | 4.4            | 300   | 400   | 6205-2RS   | 6205-2RS    | 9 Lead 2Y/Y | 51            |

\*Usable at 208 Volts

### NAME PLATE

|  <b>THREE PHASE AC INDUCTION MOTOR</b><br><b>INVERTER DUTY 20:1 VT; 10:1 CT</b><br>Hernando, MS 38632 |     |  |      |                      |  |      |      |       |      |      |       |  |               |      |   |
|---|-----|--|------|----------------------|--|------|------|-------|------|------|-------|--|---------------|------|---|
| Model :   |     |  |      | PESS145TC1.5M-4-A-NV |  |      |      | IP    | 66   |      | FRAME | 145TC  | LB/WT         | 51   |   |
| HZ  | 60  |  | S.F. | 1.15                 |  | HZ   | 50   |       | S.F. | 1.0  |       | NEMA DESIGN  | B             |      |   |
| HP  | 1.5 |  | RPM  | 1755                 |  | HP   | 1.5  |       | RPM  | 1445 |       | ENCL.  | TENV          | INS  | F |
| VOLTS   |     |  |      | 230/460              |  |      |      | VOLTS |      |      |       | 190/380  |               |      |   |
| AMPS  |     |  |      | 4.4/2.2              |  |      |      | AMPS  |      |      |       | 5.2/2.6  |               |      |   |
| CODE  |     |  |      | M                    |  | P.F. | 0.74 |       | CODE |      | K     |  | P.F.          | 0.76 |   |
| EFF   |     |  |      | 86.5                 |  | MIN  | 84.0 |       | EFF  |      | 84.0  |  | MIN           | 81.5 |   |
|    |     |  |      |                      |  |      |      |       |      |      |       |    | CC082A        |      |   |
|   |     |  |      |                      |  |      |      |       |      |      |       | E310089  | MADE IN CHINA |      |   |

Factory Certified for T2B  
 Div 2. Class I, Gr. A , B , C & D  
 and Class II, Gr. F & G

### APPLICATIONS:

Applications include washdown applications, food processing, chemical processing, pharmaceuticals, poultry processing, meat processing, dairy applications, bakeries, snack foods, bottling and extremely corrosive environments.