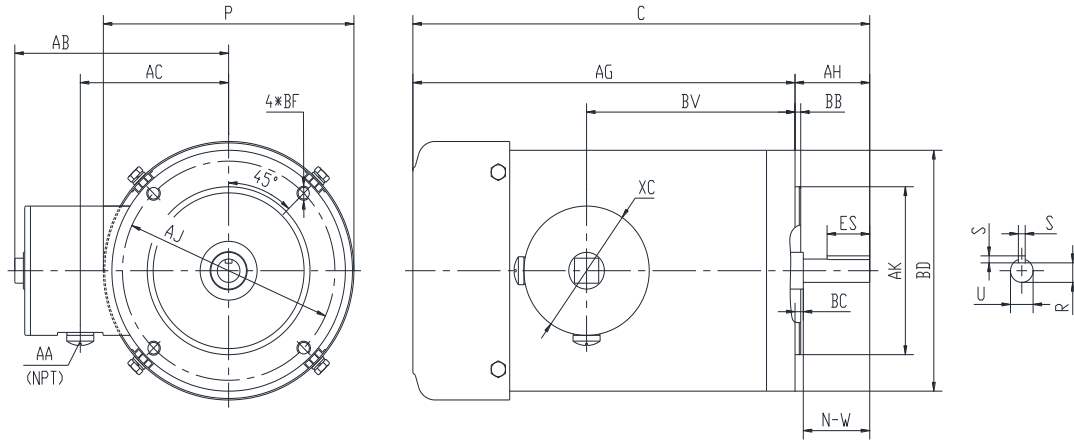




PES145TC1M-6-RB-A

**WASHDOWN DUTY MOTOR
 NEMA PREMIUM EFFICIENCY
 STAINLESS STEEL CONSTRUCTION - ROUND BODY (C-FLANGE FOOTLESS)
 TOTALLY ENCLOSED FAN COOLED - IP66 CONSTRUCTION
 INVERTER DUTY 10:1 CT; 20:1 VT - NEMA MG1 PART 31**



DIMENSIONS

HP	RPM	Frame	MOUNTING			FLANGE					
			C	P	AG	AH	AJ	AK	BB	BC	BF
1	1200	145TC	12.63	6.95	10.51	2.12	5.875	4.5	0.16	0.12	4*3/8-16

Shaft Extension, Key Set					Conduit Box				
U	R	S	ES	N-W	AA	AB	AC	BV	
0.875	0.771	0.188	1.41	2.25	0.5	5.95	4.5	5.75	

Bearings		Mount
DE	ODE	
6205-2RS	6205-2RS	F1

BEARING LUBRICATION: The bearings come lubricated with Mobil Polyrex EM Polyurea Grease.





PESS145TC1M-6-RB-A

WASHDOWN DUTY MOTOR

NEMA PREMIUM EFFICIENCY

STAINLESS STEEL CONSTRUCTION - ROUND BODY (C-FLANGE FOOTLESS)

TOTALLY ENCLOSED FAN COOLED - IP66 CONSTRUCTION

INVERTER DUTY 10:1 CT; 20:1 VT - NEMA MG1 PART 31

PERFORMANCE DATA

HP	RPM	Frame	Voltage	Frequency (Hz)	Full Load S.F.	Insulation Class	NEMA Design	Slip (%)	NEMA Code	Enclosure Type	IP Rating	Max. Ambient
1	1165	145TC	230/460	60	1.15	F	B	2.9	K	TEFC	66	40 °C

Amps (460V)		Efficiency (%)			Power Factor			Torque (ft-lb)			DE Bearing	ODE Bearing	Connection	Weight (lbs.)
FLA	LRA	100%	75%	50%	100%	75%	50%	FLT	LRT %	BDT %	6205-2RS	6205-2RS	9 Lead 2Y/Y	42
1.9	15	82.5	76.0	72.0	0.61	0.59	0.50	4.4	255	270				

*Usable at 208 Volts

NAME PLATE

		THREE PHASE AC INDUCTION MOTOR INVERTER DUTY 20:1 VT; 10:1 CT								Hernando, MS 38632			
		Model : PESS145TC1M-6-RB-A				IP 66		FRAME 145TC		LB/WT 42			
HZ 60		S.F. 1.15		HZ 50		S.F. 1.0		NEMA DESIGN B					
HP 1		RPM 1165		HP 1		RPM 965		ENCL. TEFC		INS F			
VOLTS 230/460				VOLTS 190/380				DUTY CONT		AMB 40 °C			
AMPS 3.8/1.9				AMPS 4.4/2.2				DE BRG 6205-2RS					
CODE K		P.F. 0.61		CODE K		P.F. 0.63		ODE BRG 6205-2RS					
EFF 82.5		MIN 80.0		EFF 80.0		MIN 77.0		SER NO.					
230V 		460V 								CC082A MADE IN CHINA			

Factory Certified for T2B
 Div 2. Class I, Gr. A , B , C & D
 and Class II, Gr. F & G

APPLICATIONS:

Applications include washdown applications, food processing, chemical processing, pharmaceuticals, poultry processing, meat processing, dairy applications, bakeries, snack foods, bottling and extremely corrosive environments.