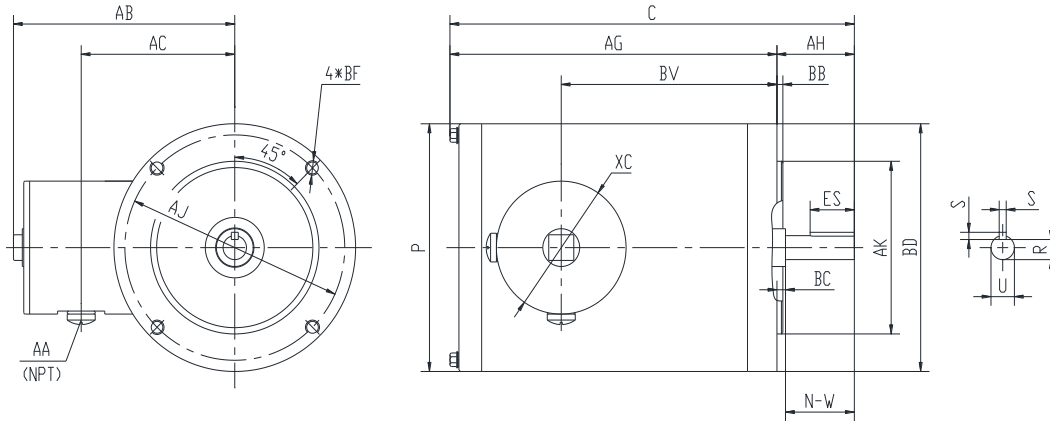




PES145TC2M-4-RB-A-NV

WASHDOWN DUTY MOTOR
NEMA PREMIUM EFFICIENCY
STAINLESS STEEL CONSTRUCTION - ROUND BODY (C-FLANGE FOOTLESS)
TOTALLY ENCLOSED NON VENTILATED - IP66 CONSTRUCTION
INVERTER DUTY 10:1 CT; 20:1 VT - NEMA MG1 PART 31



DIMENSIONS

HP	RPM	Frame	MOUNTING			FLANGE						
			C	P	AG	AH	AJ	AK	BB	BC	BD	BF
2	1800	145TC	13.81	6.45	11.69	2.12	5.875	4.5	0.16	0.12	6.45	4*3/8-16

Shaft Extension, Key Set					Conduit Box				
U	R	S	ES	N-W	AA	AB	AC	BV	XC
0.875	0.771	0.188	1.41	2.25	0.5	5.95	4.5	8.75	3.45

Bearings		Mount
DE	ODE	
6205-2RS	6205-2RS	F1

BEARING LUBRICATION: The bearings come lubricated with Mobil Polyrex EM Polyurea Grease.





PESS145TC2M-4-RB-A-NV

WASHDOWN DUTY MOTOR
NEMA PREMIUM EFFICIENCY
STAINLESS STEEL CONSTRUCTION - ROUND BODY (C-FLANGE FOOTLESS)
TOTALLY ENCLOSED NON VENTILATED - IP66 CONSTRUCTION
INVERTER DUTY 10:1 CT; 20:1 VT - NEMA MG1 PART 31


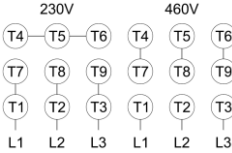



PERFORMANCE DATA

HP	RPM	Frame	Voltage	Frequency (Hz)	Full Load S.F.	Insulation Class	NEMA Design	Slip (%)	NEMA Code	Enclosure Type	IP Rating	Max. Ambient
2	1750	145TC	230/460	60	1.15	F	B	2.8	L	TENV	66	40 °C

Amps (460V)		Efficiency (%)			Power Factor			Torque (ft-lb)			DE Bearing	ODE Bearing	Connection	Weight (lbs.)
FLA	LRA	100%	75%	50%	100%	75%	50%	FLT	LRT %	BDT %				
2.7	25	86.5	86.0	85.0	0.79	0.72	0.59	5.9	300	400	6205-2RS	6205-2RS	9 Lead 2Y/Y	65

*Usable at 208 Volts

NAME PLATE

		THREE PHASE AC INDUCTION MOTOR						Hernando, MS 38632			
		INVERTER DUTY 20:1 VT; 10:1 CT									
Model :	PESS145TC2M-4-RB-A-NV					IP	66	FRAME	145TC	LB/WT	65
HZ	60	S.F.	1.15	HZ	50	S.F.	1.0	NEMA DESIGN	B		
HP	2	RPM	1750	HP	2	RPM	1440	ENCL.	TENV	INS	F
VOLTS	230/460			VOLTS	190/380			DUTY	CONT	AMB	40 °C
AMPS	5.4/2.7			AMPS	6.4/3.2			DE BRG	6205-2RS		
CODE	L	P.F.	0.79	CODE	J	P.F.	0.81	ODE BRG	6205-2RS		
EFF	86.5	MIN	84.0	EFF	84.0	MIN	81.5	SER NO.			
								CC082A MADE IN CHINA			

Factory Certified for T2B
 Div 2. Class I, Gr. A , B , C & D
 and Class II, Gr. F & G

APPLICATIONS:

Applications include washdown applications, food processing, chemical processing, pharmaceuticals, poultry processing, meat processing, dairy applications, bakeries, snack foods, bottling and extremely corrosive environments.