

PES145TC2M-4

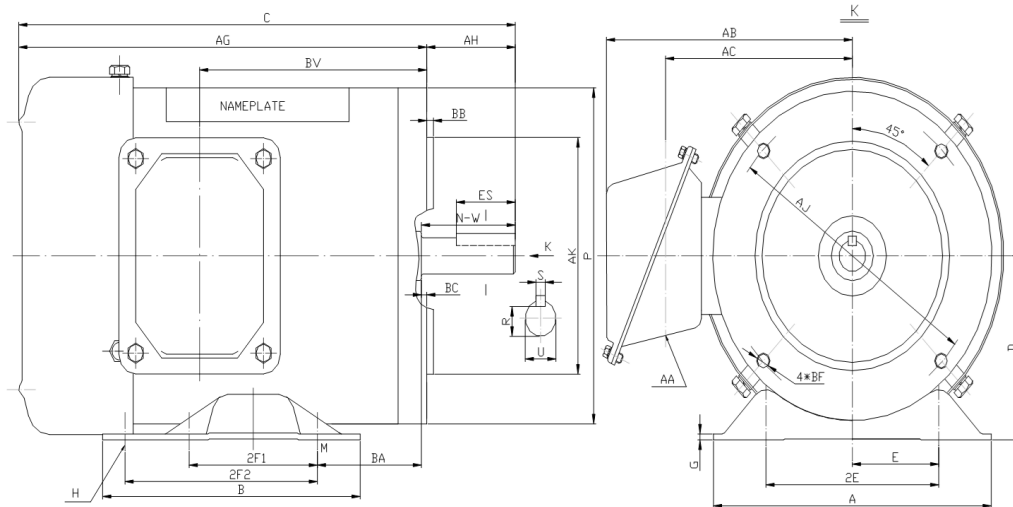
WASHDOWN DUTY MOTOR

NEMA PREMIUM EFFICIENCY

STAINLESS STEEL CONSTRUCTION - C-FLANGE WITH FEET

TOTALLY ENCLOSED FAN COOLED - IP66 CONSTRUCTION

INVERTER DUTY 10:1 CT; 20:1 VT - NEMA MG1 PART 31



DIMENSIONS

| HP | RPM | Frame | MOUNTING | | | | | | | | | | | | |
|----|------|-------|----------|-----|-------|-----|-------|-----------|------|-----|-----|-----|-----|-------|------|
| | | | A | B | C | D | G | H | E | 2E | 2F1 | 2F2 | P | AG | BA |
| 2 | 1800 | 145TC | 6.5 | 6.5 | 13.81 | 3.5 | 0.118 | 1.22*0.34 | 2.75 | 5.5 | 3 | 5 | 6.5 | 11.69 | 2.75 |

| FLANGE | | | | | | Shaft Extension, Key Set | | | | | Conduit Box | | | |
|--------|-------|-----|------|------|----------|--------------------------|-------|-------|------|------|-------------|------|------|-----|
| AH | AJ | AK | BB | BC | BF | U | R | S | ES | N-W | AA | AB | AC | BV |
| 2.12 | 5.875 | 4.5 | 0.16 | 0.12 | 4*3/8-16 | 0.875 | 0.771 | 0.188 | 1.41 | 2.25 | 0.86 | 5.75 | 4.25 | 7.5 |

| Bearings | | Mount |
|----------|----------|-------|
| DE | ODE | |
| 6205-2RS | 6205-2RS | F1 |

BEARING LUBRICATIONS: The sealed bearings come lubricated with NEVASTANE XS 80 Grease which complies with FDA Chapter 21 CFR 178.3570



PESS145TC2M-4

WASHDOWN DUTY MOTOR

NEMA PREMIUM EFFICIENCY

STAINLESS STEEL CONSTRUCTION - C-FLANGE WITH FEET

TOTALLY ENCLOSED FAN COOLED - IP66 CONSTRUCTION

INVERTER DUTY 10:1 CT; 20:1 VT - NEMA MG1 PART 31

PERFORMANCE DATA

| HP | RPM | Frame | Voltage | Frequency (Hz) | Full Load S.F. | Insulation Class | NEMA Design | Slip (%) | NEMA Code | Enclosure Type | IP Rating | Max. Ambient |
|----|------|-------|-------------|----------------|----------------|------------------|-------------|----------|-----------|----------------|-----------|--------------|
| 2 | 1750 | 145TC | 208-230/460 | 60 | 1.15 | F | B | 2.8 | K | TEFC | 66 | 40 °C |

| Amps (460V) | | Efficiency (%) | | | Power Factor | | | Torque (ft-lb) | | | DE Bearing | ODE Bearing | Connection | Weight (lbs.) |
|-------------|-----|----------------|------|------|--------------|------|------|----------------|-------|-------|------------|-------------|-------------|---------------|
| FLA | LRA | 100% | 75% | 50% | 100% | 75% | 50% | FLT | LRT % | BDT % | | | | |
| 3 | 25 | 86.5 | 83.0 | 80.0 | 0.75 | 0.66 | 0.52 | 5.9 | 285 | 300 | 6205-2RS | 6205-2RS | 9 Lead 2Y/Y | 52 |

NAME PLATE

| | | | | | | | | | | | | | |
|--|--|--|--|---------------|--|-----------|--|------------------|--|--------------------|--|-------------------------|--|
| | | THREE PHASE AC INDUCTION MOTOR INVERTER DUTY 20:1 VT; 10:1 CT | | | | | | | | Hernando, MS 38632 | | | |
| | | Model : PESS145TC2M-4 | | | | IP 66 | | FRAME 145TC | | LB/WT 52 | | | |
| HZ 60 | | S.F. 1.15 | | HZ 50 | | S.F. 1.0 | | NEMA DESIGN B | | | | | |
| HP 2 | | RPM 1750 | | HP 2 | | RPM 1450 | | ENCL. TEFC | | INS F | | | |
| VOLTS 208-230/460 | | | | VOLTS 190/380 | | | | DUTY CONT | | AMB 40 °C | | | |
| AMPS 6.2 - 6 / 3 | | | | AMPS 7.2/3.6 | | | | DE BRG 6205-2RS | | | | | |
| CODE K | | P.F. 0.75 | | CODE K | | P.F. 0.78 | | ODE BRG 6205-2RS | | | | | |
| EFF 86.5 | | MIN 84.0 | | EFF 84.0 | | MIN 81.5 | | SER NO. | | | | | |
| <div style="display: flex; justify-content: space-around;"> <div style="text-align: center;"> <p>208-230V</p> </div> <div style="text-align: center;"> <p>460V</p> </div> </div> | | | | | | | | | | | | CC082A MADE IN CHINA | |

Factory Certified for T2B
 Div 2. Class I, Gr. A , B , C & D
 and Class II, Gr. F & G

APPLICATIONS:

Applications include washdown applications, food processing, chemical processing, pharmaceuticals, poultry processing, meat processing, dairy applications, bakeries, snack foods, bottling and extremely corrosive environments.