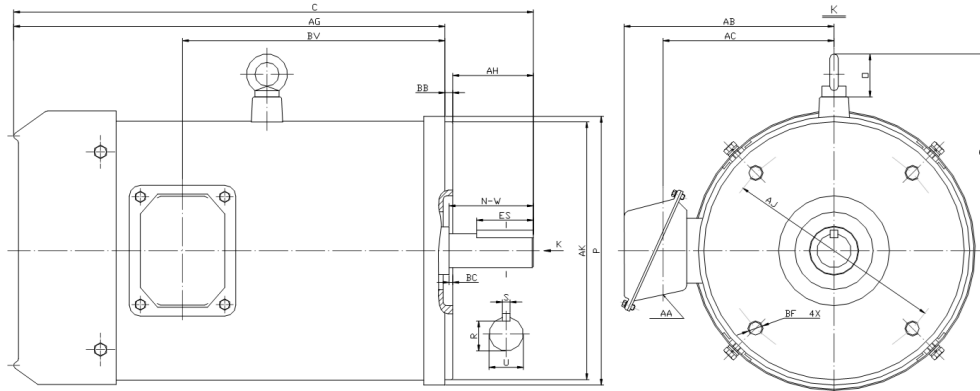




PESS182TC1.5M-6-RB

WASHDOWN DUTY MOTOR
NEMA PREMIUM EFFICIENCY
STAINLESS STEEL CONSTRUCTION - ROUND BODY (C-FLANGE FOOTLESS)
TOTALLY ENCLOSED FAN COOLED - IP66 CONSTRUCTION
INVERTER DUTY 10:1 CT; 20:1 VT - NEMA MG1 PART 31



DIMENSIONS

HP	RPM	Frame	MOUNTING									
			C	P	AH	AJ	AK	AG	BA	BB	BC	BF
1.5	1200	182TC	17	8.85	2.62	7.25	8.5	14.13	NA	0.25	0.12	4*1/2-13

Shaft Extension, Key Set					Conduit Box				
U	R	S	ES	N-W	AA	AB	AC	BV	
1.125	0.986	0.25	1.78	2.75	0.94	7	5.3	8.6	

Bearings		Mount
DE	ODE	
6308-2RS	6306-2RS	F1

BEARING LUBRICATIONS: The sealed bearings come lubricated with NEVASTANE XS 80 Grease which complies with FDA Chapter 21 CFR 178.3570





PESS182TC1.5M-6-RB

WASHDOWN DUTY MOTOR
NEMA PREMIUM EFFICIENCY
STAINLESS STEEL CONSTRUCTION - ROUND BODY (C-FLANGE FOOTLESS)
TOTALLY ENCLOSED FAN COOLED - IP66 CONSTRUCTION
INVERTER DUTY 10:1 CT; 20:1 VT - NEMA MG1 PART 31


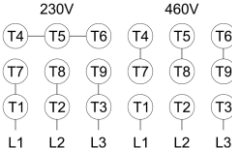



PERFORMANCE DATA

HP	RPM	Frame	Voltage	Frequency (Hz)	Full Load S.F.	Insulation Class	NEMA Design	Slip (%)	NEMA Code	Enclosure Type	IP Rating	Max. Ambient
1.5	1170	182TC	230/460	60	1.15	F	B	2.5	L	TEFC	66	40 °C

Amps (460V)		Efficiency (%)			Power Factor			Torque (ft-lb)			DE Bearing	ODE Bearing	Connection	Weight (lbs.)
FLA	LRA	100%	75%	50%	100%	75%	50%	FLT	LRT %	BDT %				
2.45	20	85.5	80.0	76.0	0.70	0.65	0.58	6.6	255	270	6308-2RS	6306-2RS	9 Lead 2Y/Y	78

*Usable at 208 Volts

NAME PLATE

 THREE PHASE AC INDUCTION MOTOR INVERTER DUTY 20:1 VT; 10:1 CT Hernando, MS 38632																							
Model :				PESS182TC1.5M-6-RB				IP	66		FRAME	182TC	LB/WT	78									
HZ	60		S.F.	1.15		HZ	50		S.F.	1.0		NEMA DESIGN B											
HP	1.5		RPM	1170		HP	1.5		RPM	970		ENCL.	TEFC		INS	F							
VOLTS				230/460				VOLTS				190/380				DUTY	CONT		AMB	40 °C			
AMPS				4.9/2.45				AMPS				5.9/2.95				DE BRG		6308-2RS					
CODE		L		P.F.	0.70		CODE		L		P.F.	0.72		ODE BRG		6306-2RS							
EFF		85.5		MIN	83.0		EFF		83.0		MIN	80.5		SER NO.									
																		CC082A		MADE IN CHINA			

Factory Certified for T2B
 Div 2. Class I, Gr. A , B , C & D
 and Class II, Gr. F & G

APPLICATIONS:

Applications include washdown applications, food processing, chemical processing, pharmaceuticals, poultry processing, meat processing, dairy applications, bakeries, snack foods, bottling and extremely corrosive environments.