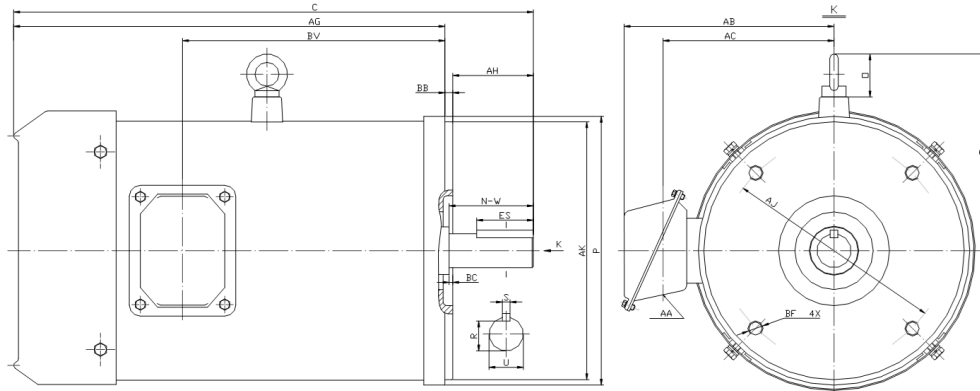




PESS182TC3M-2-RB

**WASHDOWN DUTY MOTOR
 NEMA PREMIUM EFFICIENCY
 STAINLESS STEEL CONSTRUCTION - ROUND BODY (C-FLANGE FOOTLESS)
 TOTALLY ENCLOSED FAN COOLED - IP66 CONSTRUCTION
 INVERTER DUTY 10:1 CT; 20:1 VT - NEMA MG1 PART 31**



DIMENSIONS

HP	RPM	Frame	MOUNTING									
			C	P	AH	AJ	AK	AG	BA	BB	BC	BF
3	3600	182TC	17	8.85	2.62	7.25	8.5	14.13	NA	0.25	0.12	4*1/2-13

Shaft Extension, Key Set					Conduit Box				
U	R	S	ES	N-W	AA	AB	AC	BV	
1.125	0.986	0.25	1.78	2.75	0.94	7	5.3	8.6	

Bearings		Mount
DE	ODE	
6308-2RS	6306-2RS	F1

BEARING LUBRICATIONS: The sealed bearings come lubricated with NEVASTANE XS 80 Grease which complies with FDA Chapter 21 CFR 178.3570





PESS182TC3M-2-RB

WASHDOWN DUTY MOTOR

NEMA PREMIUM EFFICIENCY

STAINLESS STEEL CONSTRUCTION - ROUND BODY (C-FLANGE FOOTLESS)

TOTALLY ENCLOSED FAN COOLED - IP66 CONSTRUCTION

INVERTER DUTY 10:1 CT; 20:1 VT - NEMA MG1 PART 31

PERFORMANCE DATA

HP	RPM	Frame	Voltage	Frequency (Hz)	Full Load S.F.	Insulation Class	NEMA Design	Slip (%)	NEMA Code	Enclosure Type	IP Rating	Max. Ambient
3	3510	182TC	230/460	60	1.15	F	B	2.5	K	TEFC	66	40 °C

Amps (460V)		Efficiency (%)			Power Factor			Torque (ft-lb)			DE Bearing	ODE Bearing	Connection	Weight (lbs.)
FLA	LRA	100%	75%	50%	100%	75%	50%	FLT	LRT %	BDT %				
4.05	32	86.5	87.0	86.0	0.89	0.75	0.63	4.4	270	290	6308-2RS	6306-2RS	9 Lead 2Y/Y	76

*Usable at 208 Volts

NAME PLATE

		THREE PHASE AC INDUCTION MOTOR INVERTER DUTY 20:1 VT; 10:1 CT										Hernando, MS 38632	
		Model :		PESS182TC3M-2-RB				IP	66	FRAME	182TC	LB/WT	76
HZ	60	S.F.	1.15	HZ	50	S.F.	1.0	NEMA DESIGN		B			
HP	3	RPM	3510	HP	3	RPM	2930	ENCL.	TEFC	INS	F		
VOLTS		230/460		VOLTS		190/380		DUTY	CONT	AMB		40 °C	
AMPS		8.1/4.05		AMPS		9/4.5		DE BRG		6308-2RS			
CODE	K	P.F.	0.89	CODE	K	P.F.	0.91	ODE BRG		6306-2RS			
EFF	86.5	MIN	84.0	EFF	84.0	MIN	81.5	SER NO.					
230V 460V 								CC082A E310089		MADE IN CHINA			

Factory Certified for T2B
 Div 2. Class I, Gr. A , B , C & D
 and Class II, Gr. F & G

APPLICATIONS:

Applications include washdown applications, food processing, chemical processing, pharmaceuticals, poultry processing, meat processing, dairy applications, bakeries, snack foods, bottling and extremely corrosive environments.