



PESS182TC3M-4-RB

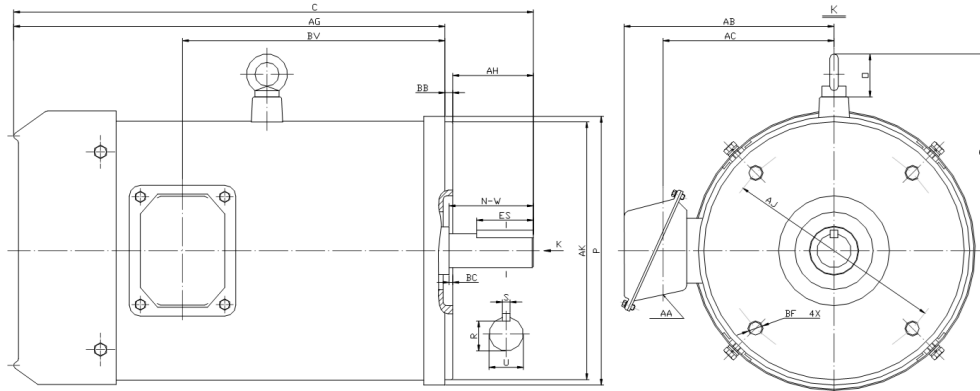
WASHDOWN DUTY MOTOR

NEMA PREMIUM EFFICIENCY

STAINLESS STEEL CONSTRUCTION - ROUND BODY (C-FLANGE FOOTLESS)

TOTALLY ENCLOSED FAN COOLED - IP66 CONSTRUCTION

INVERTER DUTY 10:1 CT; 20:1 VT - NEMA MG1 PART 31



DIMENSIONS

| HP | RPM | Frame | MOUNTING | | | | | | | | | |
|----|------|-------|----------|------|------|------|-----|-------|----|------|------|----------|
| | | | C | P | AH | AJ | AK | AG | BA | BB | BC | BF |
| 3 | 1800 | 182TC | 17 | 8.85 | 2.62 | 7.25 | 8.5 | 14.13 | NA | 0.25 | 0.12 | 4*1/2-13 |

| Shaft Extension, Key Set | | | | | Conduit Box | | | | |
|--------------------------|-------|------|------|------|-------------|----|-----|-----|--|
| U | R | S | ES | N-W | AA | AB | AC | BV | |
| 1.125 | 0.986 | 0.25 | 1.78 | 2.75 | 0.94 | 7 | 5.3 | 8.6 | |

| Bearings | | Mount |
|----------|----------|-------|
| DE | ODE | |
| 6308-2RS | 6306-2RS | F1 |

BEARING LUBRICATIONS: The sealed bearings come lubricated with NEVASTANE XS 80 Grease which complies with FDA Chapter 21 CFR 178.3570





PESS182TC3M-4-RB

WASHDOWN DUTY MOTOR

NEMA PREMIUM EFFICIENCY

STAINLESS STEEL CONSTRUCTION - ROUND BODY (C-FLANGE FOOTLESS)

TOTALLY ENCLOSED FAN COOLED - IP66 CONSTRUCTION

INVERTER DUTY 10:1 CT; 20:1 VT - NEMA MG1 PART 31

PERFORMANCE DATA

| HP | RPM | Frame | Voltage | Frequency (Hz) | Full Load S.F. | Insulation Class | NEMA Design | Slip (%) | NEMA Code | Enclosure Type | IP Rating | Max. Ambient |
|----|------|-------|---------|----------------|----------------|------------------|-------------|----------|-----------|----------------|-----------|--------------|
| 3 | 1765 | 182TC | 230/460 | 60 | 1.15 | F | B | 1.9 | K | TEFC | 66 | 40° C |

| Amps (460V) | | Efficiency (%) | | | Power Factor | | | Torque (ft-lb) | | | DE Bearing | ODE Bearing | Connection | Weight (lbs.) |
|-------------|-----|----------------|------|------|--------------|------|------|----------------|-------|-------|------------|-------------|-------------|---------------|
| FLA | LRA | 100% | 75% | 50% | 100% | 75% | 50% | FLT | LRT % | BDT % | 6308-2RS | 6306-2RS | 9 Lead 2Y/Y | 77 |
| 4 | 32 | 89.5 | 90.0 | 89.0 | 0.81 | 0.75 | 0.64 | 8.8 | 270 | 290 | | | | |

*Usable at 208 Volts

NAME PLATE

| | | | | | | | | | | | | | |
|---------------|--|--|--|---------------|--|-----------|--|---------------|--|-------------------------|--|--------------------|--|
| | | THREE PHASE AC INDUCTION MOTOR INVERTER DUTY 20:1 VT; 10:1 CT | | | | | | | | | | Hernando, MS 38632 | |
| | | Model : PESS182TC3M-4-RB | | | | IP 66 | | FRAME 182TC | | LB/WT 77 | | | |
| HZ 60 | | S.F. 1.15 | | HZ 50 | | S.F. 1.0 | | NEMA DESIGN B | | | | | |
| HP 3 | | RPM 1765 | | HP 3 | | RPM 1460 | | ENCL. TEFC | | INS F | | | |
| VOLTS 230/460 | | | | VOLTS 190/380 | | | | DUTY CONT | | AMB 40° C | | | |
| AMPS 8/4 | | | | AMPS 9.6/4.8 | | | | DE BRG | | 6308-2RS | | | |
| CODE K | | P.F. 0.81 | | CODE K | | P.F. 0.83 | | ODE BRG | | 6306-2RS | | | |
| EFF 89.5 | | MIN 87.5 | | EFF 87.5 | | MIN 85.5 | | SER NO. | | | | | |
| 230V | | 460V | | | | | | | | CC082A MADE IN CHINA | | | |

Factory Certified for T2B
 Div 2. Class I, Gr. A , B , C & D
 and Class II, Gr. F & G

APPLICATIONS:

Applications include washdown applications, food processing, chemical processing, pharmaceuticals, poultry processing, meat processing, dairy applications, bakeries, snack foods, bottling and extremely corrosive environments.