



PESS184TC5M-2-RB

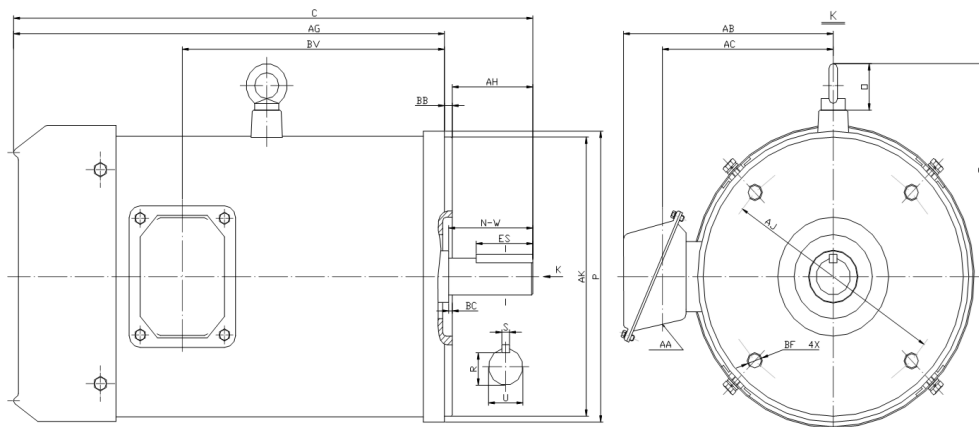
WASHDOWN DUTY MOTOR

NEMA PREMIUM EFFICIENCY

STAINLESS STEEL CONSTRUCTION - ROUND BODY (C-FLANGE FOOTLESS)

TOTALLY ENCLOSED FAN COOLED - IP66 CONSTRUCTION

INVERTER DUTY 10:1 CT; 20:1 VT - NEMA MG1 PART 31



DIMENSIONS

HP	RPM	Frame	MOUNTING									
			C	P	AH	AJ	AK	AG	BA	BB	BC	BF
5	3600	184TC	17	8.85	2.62	7.25	8.5	14.13	NA	0.25	0.12	4*1/2-13

Shaft Extension, Key Set					Conduit Box				
U	R	S	ES	N-W	AA	AB	AC	BV	
1.125	0.986	0.25	1.78	2.75	0.94	7	5.3	8.6	

Bearings		Mount
DE	ODE	
6308-2RS	6306-2RS	F1

BEARING LUBRICATIONS: The sealed bearings come lubricated with NEVASTANE XS 80 Grease which complies with FDA Chapter 21 CFR 178.3570





PESS184TC5M-2-RB

WASHDOWN DUTY MOTOR

NEMA PREMIUM EFFICIENCY

STAINLESS STEEL CONSTRUCTION - ROUND BODY (C-FLANGE FOOTLESS)

TOTALLY ENCLOSED FAN COOLED - IP66 CONSTRUCTION

INVERTER DUTY 10:1 CT; 20:1 VT - NEMA MG1 PART 31

PERFORMANCE DATA

HP	RPM	Frame	Voltage	Frequency (Hz)	Full Load S.F.	Insulation Class	NEMA Design	Slip (%)	NEMA Code	Enclosure Type	IP Rating	Max. Ambient
5	3525	184TC	208-230/460	60	1.15	F	B	2.1	J	TEFC	66	40 °C

Amps (460V)		Efficiency (%)			Power Factor			Torque (ft-lb)			DE Bearing	ODE Bearing	Connection	Weight (lbs.)
FLA	LRA	100%	75%	50%	100%	75%	50%	FLT	LRT %	BDT %				
6.1	46	88.5	89.0	88.0	0.91	0.86	0.78	7.3	255	280	6308-2RS	6306-2RS	9 Lead 2Y/Y	94

NAME PLATE

		THREE PHASE AC INDUCTION MOTOR INVERTER DUTY 20:1 VT; 10:1 CT						Hernando, MS 38632					
		Model : PESS184TC5M-2-RB				IP 66		FRAME 184TC		LB/WT 94			
HZ 60		S.F. 1.15		HZ 50		S.F. 1.0		NEMA DESIGN B					
HP 5		RPM 3525		HP 5		RPM 2920		ENCL. TEFC		INS F			
VOLTS 208-230/460				VOLTS 190/380				DUTY CONT		AMB 40 °C			
AMPS 12.6 - 12.2 / 6.1				AMPS 14.4/7.2				DE BRG 6308-2RS					
CODE J		P.F. 0.91		CODE K		P.F. 0.92		ODE BRG 6306-2RS					
EFF 88.5		MIN 86.5		EFF 86.5		MIN 84.0		SER NO.					
<div style="display: flex; justify-content: space-around;"> <div style="text-align: center;"> <p>208-230V</p> </div> <div style="text-align: center;"> <p>460V</p> </div> </div>												CC082A E310089	
MADE IN CHINA													

Factory Certified for T2B

Div 2. Class I, Gr. A , B , C & D

and Class II, Gr. F & G

APPLICATIONS:

Applications include washdown applications, food processing, chemical processing, pharmaceuticals, poultry processing, meat processing, dairy applications, bakeries, snack foods, bottling and extremely corrosive environments.