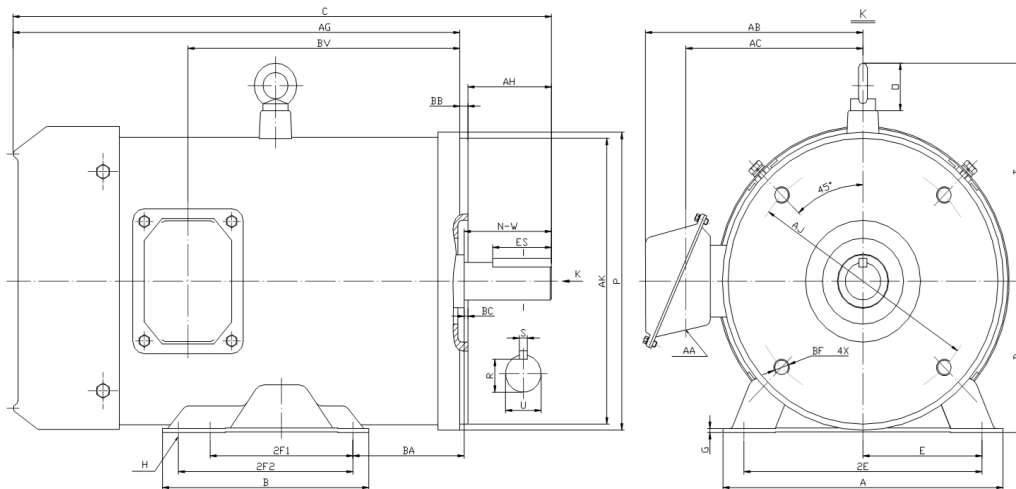




PES184TC5M-4

**WASHDOWN DUTY MOTOR
 NEMA PREMIUM EFFICIENCY
 STAINLESS STEEL CONSTRUCTION - C-FLANGE WITH FEET
 TOTALLY ENCLOSED FAN COOLED - IP66 CONSTRUCTION
 INVERTER DUTY 10:1 CT; 20:1 VT - NEMA MG1 PART 31**



DIMENSIONS

HP	RPM	Frame	MOUNTING												
			A	B	C	D	G	H	E	2E	2F1	2F2	P	AG	BA
5	1800	184TC	8.8	6.5	17	4.5	0.118	0.71*0.47	3.75	7.5	4.5	5.5	8.85	14.13	3.5

FLANGE						Shaft Extension, Key Set					Conduit Box			
AH	AJ	AK	BB	BC	BF	U	R	S	ES	N-W	AA	AB	AC	BV
2.62	7.25	8.5	0.25	0.12	4*1/2-13	1.125	0.986	0.25	1.78	2.75	0.94	7	5.3	8.6

Bearings		Mount
DE	ODE	
6308-2RS	6306-2RS	F1

BEARING LUBRICATIONS: The sealed bearings come lubricated with NEVASTANE XS 80 Grease which complies with FDA Chapter 21 CFR 178.3570





PESS184TC5M-4

WASHDOWN DUTY MOTOR
NEMA PREMIUM EFFICIENCY
STAINLESS STEEL CONSTRUCTION - C-FLANGE WITH FEET
TOTALLY ENCLOSED FAN COOLED - IP66 CONSTRUCTION
INVERTER DUTY 10:1 CT; 20:1 VT - NEMA MG1 PART 31


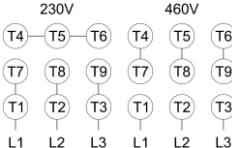



PERFORMANCE DATA

HP	RPM	Frame	Voltage	Frequency (Hz)	Full Load S.F.	Insulation Class	NEMA Design	Slip (%)	NEMA Code	Enclosure Type	IP Rating	Max. Ambient
5	1765	184TC	230/460	60	1.15	F	B	1.9	J	TEFC	66	40 °C

Amps (460V)		Efficiency (%)			Power Factor			Torque (ft-lb)			DE Bearing	ODE Bearing	Connection	Weight (lbs.)
FLA	LRA	100%	75%	50%	100%	75%	50%	FLT	LRT %	BDT %				
6.25	46	89.5	90.0	89.0	0.86	0.77	0.66	14.7	255	280	6308-2RS	6306-2RS	9 Lead 2Y/Y	99

*Usable at 208 Volts

NAME PLATE

		THREE PHASE AC INDUCTION MOTOR INVERTER DUTY 20:1 VT; 10:1 CT						Hernando, MS 38632					
Model :				PESS184TC5M-4		IP	66	FRAME	184TC	LB/WT	99		
HZ	60	S.F.	1.15	HZ	50	S.F.	1.0	NEMA DESIGN	B				
HP	5	RPM	1765	HP	5	RPM	1460	ENCL.	TEFC	INS	F		
VOLTS			230/460		VOLTS			190/380		DUTY	CONT	AMB	40 °C
AMPS			12.5/6.25		AMPS			14.8/7.4		DE BRG			6308-2RS
CODE	J	P.F.	0.86	CODE	K	P.F.	0.88	ODE BRG		6306-2RS			
EFF	89.5	MIN	87.5	EFF	87.5	MIN	85.5	SER NO.					
								CC082A		MADE IN CHINA			

Factory Certified for T2B
 Div 2. Class I, Gr. A , B , C & D
 and Class II, Gr. F & G

APPLICATIONS:

Applications include washdown applications, food processing, chemical processing, pharmaceuticals, poultry processing, meat processing, dairy applications, bakeries, snack foods, bottling and extremely corrosive environments.