



**PESS213TC3M-6-RB**

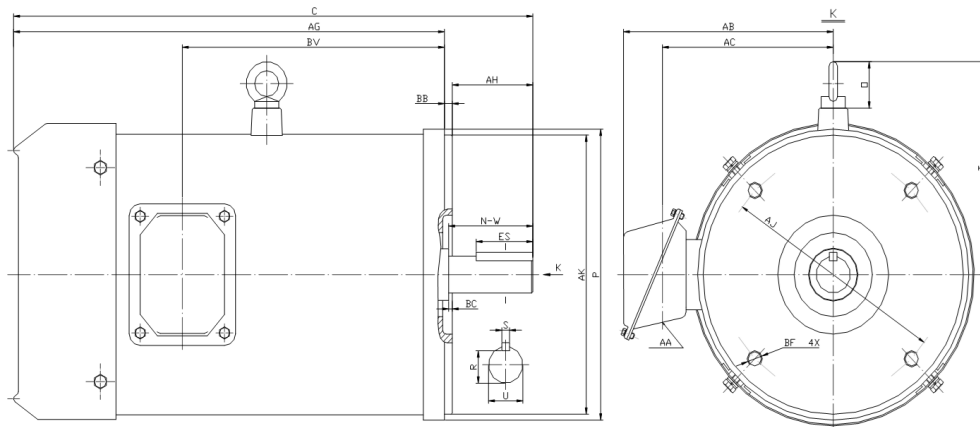
**WASHDOWN DUTY MOTOR**

**NEMA PREMIUM EFFICIENCY**

**STAINLESS STEEL CONSTRUCTION - ROUND BODY (C-FLANGE FOOTLESS)**

**TOTALLY ENCLOSED FAN COOLED - IP66 CONSTRUCTION**

**INVERTER DUTY 10:1 CT; 20:1 VT - NEMA MG1 PART 31**



**DIMENSIONS**

HP	RPM	Frame	MOUNTING									
			C	P	AH	AJ	AK	AG	BA	BB	BC	BF
3	1200	213TC	20.7	10.08	3.12	7.25	8.5	17.33	NA	0.25	0.25	4*1/2-13

Shaft Extension, Key Set					Conduit Box				
U	R	S	ES	N-W	AA	AB	AC	BV	
1.375	1.201	0.312	2.41	3.38	0.94	7.7	6.2	11.35	

Bearings		Mount
DE	ODE	
6308-2RS	6208-2RS	F1

**BEARING LUBRICATIONS:** The sealed bearings come lubricated with NEVASTANE XS 80 Grease which complies with FDA Chapter 21 CFR 178.3570





## PESS213TC3M-6-RB

**WASHDOWN DUTY MOTOR**

**NEMA PREMIUM EFFICIENCY**

**STAINLESS STEEL CONSTRUCTION - ROUND BODY (C-FLANGE FOOTLESS)**

**TOTALLY ENCLOSED FAN COOLED - IP66 CONSTRUCTION**

**INVERTER DUTY 10:1 CT; 20:1 VT - NEMA MG1 PART 31**

### PERFORMANCE DATA

HP	RPM	Frame	Voltage	Frequency (Hz)	Full Load S.F.	Insulation Class	NEMA Design	Slip (%)	NEMA Code	Enclosure Type	IP Rating	Max. Ambient
3	1175	213TC	208-230/460	60	1.15	F	B	2.1	K	TEFC	66	40 °C

Amps (460V)		Efficiency (%)			Power Factor			Torque (ft-lb)			DE Bearing	ODE Bearing	Connection	Weight (lbs.)
FLA	LRA	100%	75%	50%	100%	75%	50%	FLT	LRT %	BDT %				
4.3	32	87.5	87.0	86.0	0.74	0.62	0.51	13.2	250	280	6308-2RS	6208-2RS	9 Lead 2Y/Y	159

### NAME PLATE

		<b>THREE PHASE AC INDUCTION MOTOR</b> <b>INVERTER DUTY 20:1 VT; 10:1 CT</b>						Hernando, MS 38632											
		Model :		PESS213TC3M-6-RB				IP		66		FRAME 213TC		LB/WT 159					
HZ		60		S.F.		1.15		HZ		50		S.F.		1.0		NEMA DESIGN		B	
HP		3		RPM		1175		HP		3		RPM		970		ENCL.		TEFC INS F	
VOLTS		208-230/460				VOLTS		190/380				DUTY		CONT		AMB		40 °C	
AMPS		9.3 - 8.6 / 4.3				AMPS		10.4/5.2				DE BRG		6308-2RS					
CODE		K		P.F.		0.74		CODE		K		P.F.		0.76		ODE BRG		6208-2RS	
EFF		87.5		MIN		85.5		EFF		85.5		MIN		83.0		SER NO.			
<div style="display: flex; justify-content: space-between;"> <div style="text-align: center;"> <p>208-230V</p> </div> <div style="text-align: center;"> <p>460V</p> </div> <div style="text-align: center;"> </div> <div style="text-align: center;"> <p>CC082A</p> <p>E310089</p> </div> </div> <p style="text-align: right;">MADE IN CHINA</p>																			

Factory Certified for T2B

Div 2. Class I, Gr. A , B , C & D

and Class II, Gr. F & G

### APPLICATIONS:

Applications include washdown applications, food processing, chemical processing, pharmaceuticals, poultry processing, meat processing, dairy applications, bakeries, snack foods, bottling and extremely corrosive environments.