

PESS213TC7.5M-4

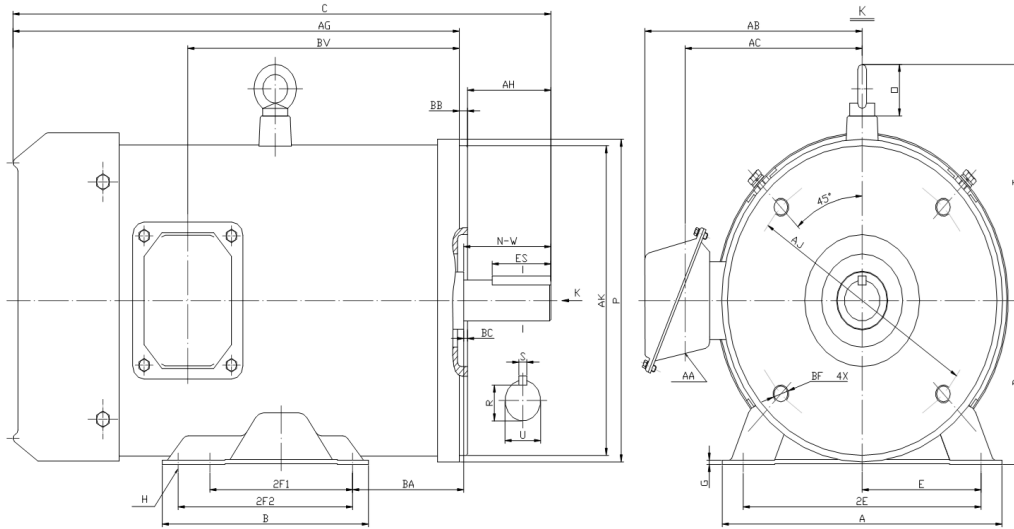
WASHDOWN DUTY MOTOR

NEMA PREMIUM EFFICIENCY

STAINLESS STEEL CONSTRUCTION - C-FLANGE WITH FEET

TOTALLY ENCLOSED FAN COOLED - IP66 CONSTRUCTION

INVERTER DUTY 10:1 CT; 20:1 VT - NEMA MG1 PART 31



DIMENSIONS

HP	RPM	Frame	MOUNTING												
			A	B	C	D	G	H	E	2E	2F1	2F2	P	AG	BA
7.5	1800	213TC	9.6	8.1	20.7	5.25	0.157	0.41	4.25	8.5	5.5	7	10.08	17.33	4.25

FLANGE						Shaft Extension, Key Set					Conduit Box			
AH	AJ	AK	BB	BC	BF	U	R	S	ES	N-W	AA	AB	AC	BV
3.12	7.25	8.5	0.25	0.25	4*1/2-13	1.375	1.201	0.312	2.41	3.38	0.94	7.7	6.2	11.35

Bearings		Mount
DE	ODE	
6308-2RS	6208-2RS	F1

BEARING LUBRICATIONS: The sealed bearings come lubricated with NEVASTANE XS 80 Grease which complies with FDA Chapter 21 CFR 178.3570



PESS213TC7.5M-4

WASHDOWN DUTY MOTOR
NEMA PREMIUM EFFICIENCY
STAINLESS STEEL CONSTRUCTION - C-FLANGE WITH FEET
TOTALLY ENCLOSED FAN COOLED - IP66 CONSTRUCTION
INVERTER DUTY 10:1 CT; 20:1 VT - NEMA MG1 PART 31

PERFORMANCE DATA

HP	RPM	Frame	Voltage	Frequency (Hz)	Full Load S.F.	Insulation Class	NEMA Design	Slip (%)	NEMA Code	Enclosure Type	IP Rating	Max. Ambient
7.5	1755	213TC	208-230/460	60	1.15	F	B	2.5	H	TEFC	66	40 °C

Amps (460V)		Efficiency (%)			Power Factor			Torque (ft-lb)			DE Bearing	ODE Bearing	Connection	Weight (lbs.)
FLA	LRA	100%	75%	50%	100%	75%	50%	FLT	LRT %	BDT %				
9.3	63.5	91.7	92.0	90.0	0.83	0.75	0.65	22	250	270	6308-2RS	6208-2RS	9 Lead 2Y/Y	179

NAME PLATE

		THREE PHASE AC INDUCTION MOTOR INVERTER DUTY 20:1 VT; 10:1 CT						Hernando, MS 38632					
Model :		PESS213TC7.5M-4				IP 66		FRAME 213TC		LB/WT 179			
HZ 60		S.F. 1.15		HZ 50		S.F. 1.0		NEMA DESIGN B					
HP 7.5		RPM 1755		HP 7.5		RPM 1460		ENCL. TEFC		INS F			
VOLTS 208-230/460		VOLTS 190/380		DUTY CONT		AMB 40 °C							
AMPS 20 - 18.6 / 9.3		AMPS 22.4/11.2		DE BRG 6308-2RS									
CODE H		P.F. 0.83		CODE H		P.F. 0.85		ODE BRG 6208-2RS					
EFF 91.7		MIN 90.2		EFF 90.0		MIN 88.5		SER NO.					
208-230V T4—T5—T6 T7 T8 T9 T1 T2 T3 L1 L2 L3		460V T4 T5 T6 T7 T8 T9 T1 T2 T3 L1 L2 L3								CC082A		MADE IN CHINA	

Factory Certified for T2B
Div 2. Class I, Gr. A , B , C & D
and Class II, Gr. F & G

APPLICATIONS:

Applications include washdown applications, food processing, chemical processing, pharmaceuticals, poultry processing, meat processing, dairy applications, bakeries, snack foods, bottling and extremely corrosive environments.