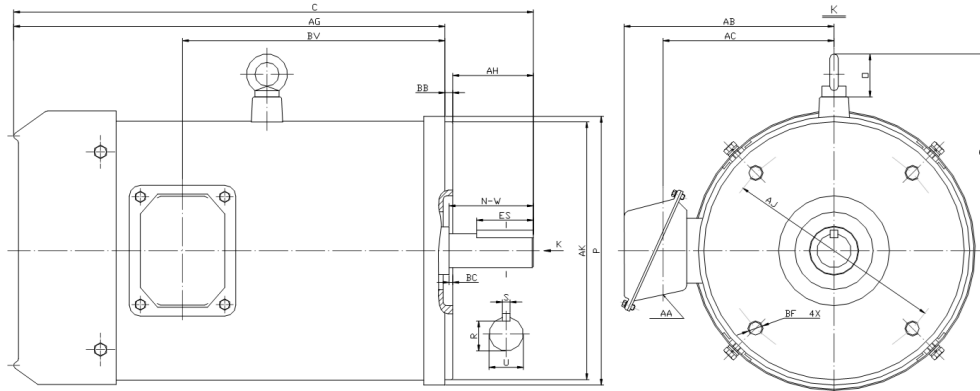




**PESS215TC10M-2-RB**

**WASHDOWN DUTY MOTOR  
 NEMA PREMIUM EFFICIENCY  
 STAINLESS STEEL CONSTRUCTION - ROUND BODY (C-FLANGE FOOTLESS)  
 TOTALLY ENCLOSED FAN COOLED - IP66 CONSTRUCTION  
 INVERTER DUTY 10:1 CT; 20:1 VT - NEMA MG1 PART 31**



**DIMENSIONS**

HP	RPM	Frame	MOUNTING									
			C	P	AH	AJ	AK	AG	BA	BB	BC	BF
10	3600	215TC	20.7	10.08	3.12	7.25	8.5	17.33	NA	0.25	0.25	4*1/2-13

Shaft Extension, Key Set					Conduit Box				
U	R	S	ES	N-W	AA	AB	AC	BV	
1.375	1.201	0.312	2.41	3.38	0.94	7.7	6.2	11.35	

Bearings		Mount
DE	ODE	
6308-2RS	6208-2RS	F1

**BEARING LUBRICATIONS:** The sealed bearings come lubricated with NEVASTANE XS 80 Grease which complies with FDA Chapter 21 CFR 178.3570





## PESS215TC10M-2-RB

**WASHDOWN DUTY MOTOR**  
**NEMA PREMIUM EFFICIENCY**  
**STAINLESS STEEL CONSTRUCTION - ROUND BODY (C-FLANGE FOOTLESS)**  
**TOTALLY ENCLOSED FAN COOLED - IP66 CONSTRUCTION**  
**INVERTER DUTY 10:1 CT; 20:1 VT - NEMA MG1 PART 31**


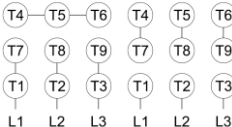



### PERFORMANCE DATA

HP	RPM	Frame	Voltage	Frequency (Hz)	Full Load S.F.	Insulation Class	NEMA Design	Slip (%)	NEMA Code	Enclosure Type	IP Rating	Max. Ambient
10	3525	215TC	230/460	60	1.15	F	B	2.1	H	TEFC	66	40 °C

Amps (460V)		Efficiency (%)			Power Factor			Torque (ft-lb)			DE Bearing	ODE Bearing	Connection	Weight (lbs.)
FLA	LRA	100%	75%	50%	100%	75%	50%	FLT	LRT %	BDT %				
12.2	81	90.2	90.0	89.0	0.87	0.82	0.72	14.7	250	270	6308-2RS	6208-2RS	9 Lead 2Y/Y	165

\*Usable at 208 Volts

### NAME PLATE

		THREE PHASE AC INDUCTION MOTOR INVERTER DUTY 20:1 VT; 10:1 CT								Hernando, MS 38632											
Model :				PESS215TC10M-2-RB				IP	66		FRAME	215TC		LB/WT	165						
HZ	60		S.F.	1.15		HZ	50		S.F.	1.0		NEMA DESIGN		B							
HP	10		RPM	3525		HP	10		RPM	2920		ENCL.	TEFC		INS	F					
VOLTS				230/460				VOLTS				190/380				DUTY	CONT		AMB	40 °C	
AMPS				24.4/12.2				AMPS				29/14.5				DE BRG		6308-2RS			
CODE	H		P.F.	0.87		CODE	H		P.F.	0.89		ODE BRG		6208-2RS							
EFF	90.2		MIN	88.5		EFF	88.5		MIN	86.5		SER NO.									
<div style="display: flex; justify-content: space-between; align-items: center;"> <div style="text-align: center;"> <p>230V      460V</p>  </div> <div style="text-align: center;">    </div> <div style="text-align: right;"> <p>CC082A</p> <p>E310089</p> <p>MADE IN CHINA</p> </div> </div>																					

Factory Certified for T2B  
 Div 2. Class I, Gr. A , B , C & D  
 and Class II, Gr. F & G

### APPLICATIONS:

Applications include washdown applications, food processing, chemical processing, pharmaceuticals, poultry processing, meat processing, dairy applications, bakeries, snack foods, bottling and extremely corrosive environments.