



## PESS256TC20M-2-RB

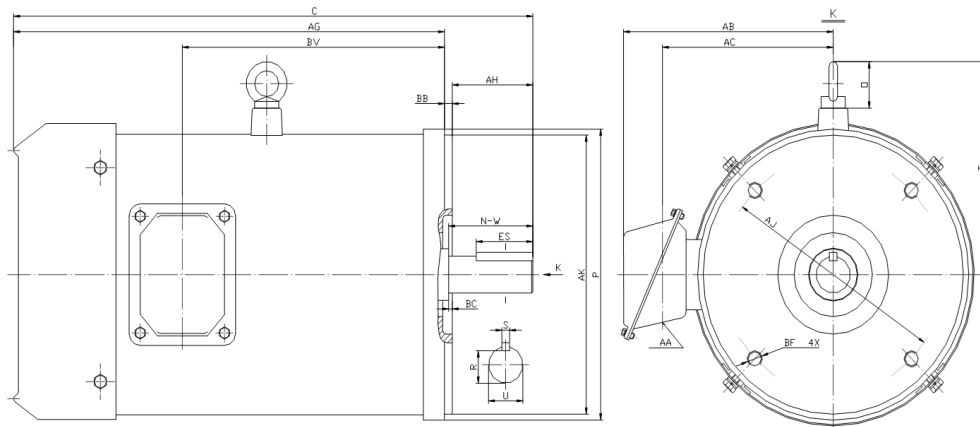
WASHDOWN DUTY MOTOR

NEMA PREMIUM EFFICIENCY

STAINLESS STEEL CONSTRUCTION - ROUND BODY (C-FLANGE FOOTLESS)

TOTALLY ENCLOSED FAN COOLED - IP66 CONSTRUCTION

INVERTER DUTY 10:1 CT; 20:1 VT - NEMA MG1 PART 31



### DIMENSIONS

| HP | RPM  | Frame | MOUNTING |       |      |      |     |      |    |      |      |          |
|----|------|-------|----------|-------|------|------|-----|------|----|------|------|----------|
|    |      |       | C        | P     | AH   | AJ   | AK  | AG   | BA | BB   | BC   | BF       |
| 20 | 3600 | 256TC | 24.8     | 11.72 | 3.75 | 7.25 | 8.5 | 20.8 | NA | 0.25 | 0.25 | 4*1/2-13 |

| Shaft Extension, Key Set |       |       |      |     | Conduit Box |     |     |      |  |
|--------------------------|-------|-------|------|-----|-------------|-----|-----|------|--|
| U                        | R     | S     | ES   | N-W | AA          | AB  | AC  | BV   |  |
| 1.625                    | 1.416 | 0.375 | 2.91 | 4   | 1           | 9.5 | 7.8 | 14.1 |  |

| Bearings |          | Mount |
|----------|----------|-------|
| DE       | ODE      |       |
| 6309-2RS | 6309-2RS | F1    |

**BEARING LUBRICATIONS:** The sealed bearings come lubricated with NEVASTANE XS 80 Grease which complies with FDA Chapter 21 CFR 178.3570





## PESS256TC20M-2-RB

**WASHDOWN DUTY MOTOR**

**NEMA PREMIUM EFFICIENCY**

**STAINLESS STEEL CONSTRUCTION - ROUND BODY (C-FLANGE FOOTLESS)**

**TOTALLY ENCLOSED FAN COOLED - IP66 CONSTRUCTION**

**INVERTER DUTY 10:1 CT; 20:1 VT - NEMA MG1 PART 31**

### PERFORMANCE DATA

| HP | RPM  | Frame | Voltage     | Frequency (Hz) | Full Load S.F. | Insulation Class | NEMA Design | Slip (%) | NEMA Code | Enclosure Type | IP Rating | Max. Ambient |
|----|------|-------|-------------|----------------|----------------|------------------|-------------|----------|-----------|----------------|-----------|--------------|
| 20 | 3540 | 256TC | 208-230/460 | 60             | 1.15           | F                | B           | 1.7      | G         | TEFC           | 66        | 40 °C        |

| Amps (460V) |     | Efficiency (%) |      |      | Power Factor |      |      | Torque (ft-lb) |       |       | DE Bearing | ODE Bearing | Connection   | Weight (lbs.) |
|-------------|-----|----------------|------|------|--------------|------|------|----------------|-------|-------|------------|-------------|--------------|---------------|
| FLA         | LRA | 100%           | 75%  | 50%  | 100%         | 75%  | 50%  | FLT            | LRT % | BDT % |            |             |              |               |
| 23          | 145 | 91.0           | 90.5 | 90.0 | 0.90         | 0.85 | 0.76 | 29.3           | 200   | 250   | 6309-2RS   | 6309-2RS    | 12 Lead 2Δ/Δ | 285           |

### NAME PLATE

|   |  |  |  |               |  |           |  |                    |  |           |  |  |  |
|---|--|--|--|---------------|--|-----------|--|--------------------|--|-----------|--|--|--|
|   |  | <b>THREE PHASE AC INDUCTION MOTOR</b><br><b>INVERTER DUTY 20:1 VT; 10:1 CT</b> |  |               |  |           |  | Hernando, MS 38632 |  |           |  |  |  |
|   |  | Model : PESS256TC20M-2-RB  |  |               |  | IP 66     |  | FRAME 256TC        |  | LB/WT 285 |  |  |  |
| HZ 60   |  | S.F. 1.15  |  | HZ 50         |  | S.F. 1.0  |  | NEMA DESIGN B      |  |           |  |  |  |
| HP 20   |  | RPM 3540   |  | HP 20         |  | RPM 2935  |  | ENCL. TEFC         |  | INS F     |  |  |  |
| VOLTS 208-230/460   |  |  |  | VOLTS 190/380 |  |           |  | DUTY CONT          |  | AMB 40 °C |  |  |  |
| AMPS 50 - 46 / 23   |  |  |  | AMPS 56/28    |  |           |  | DE BRG 6309-2RS    |  |           |  |  |  |
| CODE G  |  | P.F. 0.90  |  | CODE G        |  | P.F. 0.91 |  | ODE BRG 6309-2RS   |  |           |  |  |  |
| EFF 91.0  |  | MIN 89.5   |  | EFF 89.5      |  | MIN 87.5  |  | SER NO.            |  |           |  |  |  |
| <div style="display: flex; justify-content: space-between; align-items: center;"> <div style="text-align: center;"> <p>208-230V      460V</p> </div> <div style="text-align: center;"> </div> <div style="text-align: right;"> <p>CC082A</p> <p>MADE IN CHINA</p> </div> </div> |  |  |  |               |  |           |  |                    |  |           |  |  |  |

Factory Certified for T2B

Div 2. Class I, Gr. A , B , C & D

and Class II, Gr. F & G

#### APPLICATIONS:

Applications include washdown applications, food processing, chemical processing, pharmaceuticals, poultry processing, meat processing, dairy applications, bakeries, snack foods, bottling and extremely corrosive environments.