



## PESS256TC20M-4

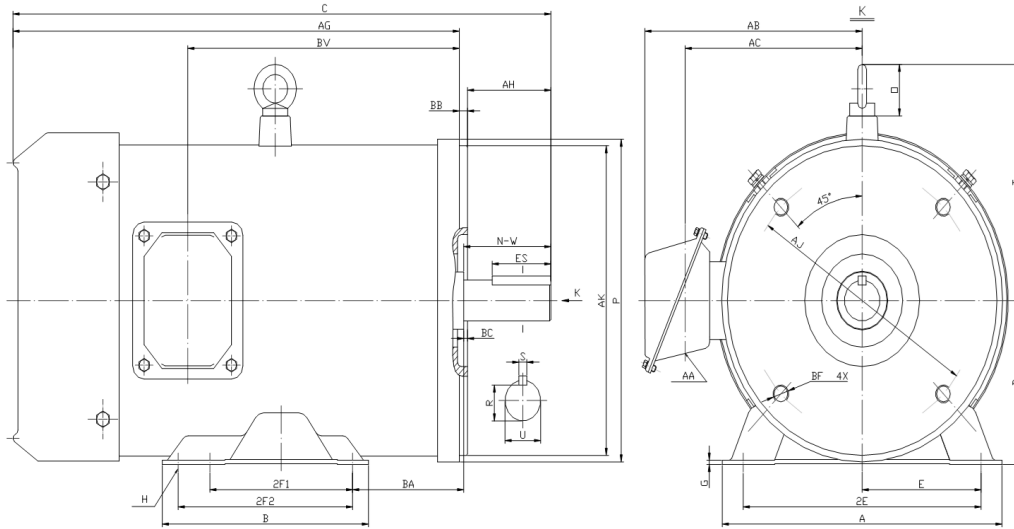
WASHDOWN DUTY MOTOR

NEMA PREMIUM EFFICIENCY

STAINLESS STEEL CONSTRUCTION - C-FLANGE WITH FEET

TOTALLY ENCLOSED FAN COOLED - IP66 CONSTRUCTION

INVERTER DUTY 10:1 CT; 20:1 VT - NEMA MG1 PART 31



### DIMENSIONS

HP	RPM	Frame	MOUNTING												
			A	B	C	D	G	H	E	2E	2F1	2F2	P	AG	BA
20	1800	256TC	11.2	11.25	24.8	6.25	0.47	0.53	5	10	NA	10	11.72	20.8	4.75

FLANGE						Shaft Extension, Key Set					Conduit Box			
AH	AJ	AK	BB	BC	BF	U	R	S	ES	N-W	AA	AB	AC	BV
3.75	7.25	8.5	0.25	0.25	4*1/2-13	1.625	1.416	0.375	2.91	4	1	9.5	7.8	14.1

Bearings		Mount
DE	ODE	
6309-2RS	6309-2RS	F1

**BEARING LUBRICATIONS:** The sealed bearings come lubricated with NEVASTANE XS 80 Grease which complies with FDA Chapter 21 CFR 178.3570





## PESS256TC20M-4

**WASHDOWN DUTY MOTOR**

**NEMA PREMIUM EFFICIENCY**

**STAINLESS STEEL CONSTRUCTION - C-FLANGE WITH FEET**

**TOTALLY ENCLOSED FAN COOLED - IP66 CONSTRUCTION**

**INVERTER DUTY 10:1 CT; 20:1 VT - NEMA MG1 PART 31**

### PERFORMANCE DATA

HP	RPM	Frame	Voltage	Frequency (Hz)	Full Load S.F.	Insulation Class	NEMA Design	Slip (%)	NEMA Code	Enclosure Type	IP Rating	Max. Ambient
20	1765	256TC	208-230/460	60	1.15	F	B	1.9	G	TEFC	66	40 °C

Amps (460V)		Efficiency (%)			Power Factor			Torque (ft-lb)			DE Bearing	ODE Bearing	Connection	Weight (lbs.)
FLA	LRA	100%	75%	50%	100%	75%	50%	FLT	LRT %	BDT %				
24.5	145	93.0	92.5	92.0	0.88	0.75	0.63	58.6	200	250	6309-2RS	6309-2RS	12 Lead 2Δ/Δ	352

### NAME PLATE

		<b>THREE PHASE AC INDUCTION MOTOR</b> <b>INVERTER DUTY 20:1 VT; 10:1 CT</b>						Hernando, MS 38632					
		Model : PESS256TC20M-4				IP 66		FRAME 256TC		LB/WT 352			
HZ 60		S.F. 1.15		HZ 50		S.F. 1.0		NEMA DESIGN B					
HP 20		RPM 1765		HP 20		RPM 1465		ENCL. TEFC		INS F			
VOLTS 208-230/460				VOLTS 190/380				DUTY CONT		AMB 40 °C			
AMPS 53-49/24.5				AMPS 58/29				DE BRG 6309-2RS					
CODE G		P.F. 0.88		CODE G		P.F. 0.90		ODE BRG 6309-2RS					
EFF 93.0		MIN 91.5		EFF 91.5		MIN 89.5		SER NO.					
<div style="display: flex; justify-content: space-between; align-items: center;"> <div style="text-align: center;"> <p>208-230V      460V</p> </div> <div style="text-align: center;"> </div> <div style="text-align: right;"> <p>CC082A</p> <p>MADE IN CHINA</p> </div> </div>													

Factory Certified for T2B

Div 2. Class I, Gr. A , B , C & D

and Class II, Gr. F & G

### APPLICATIONS:

Applications include washdown applications, food processing, chemical processing, pharmaceuticals, poultry processing, meat processing, dairy applications, bakeries, snack foods, bottling and extremely corrosive environments.