

## PES56C1.5M-2

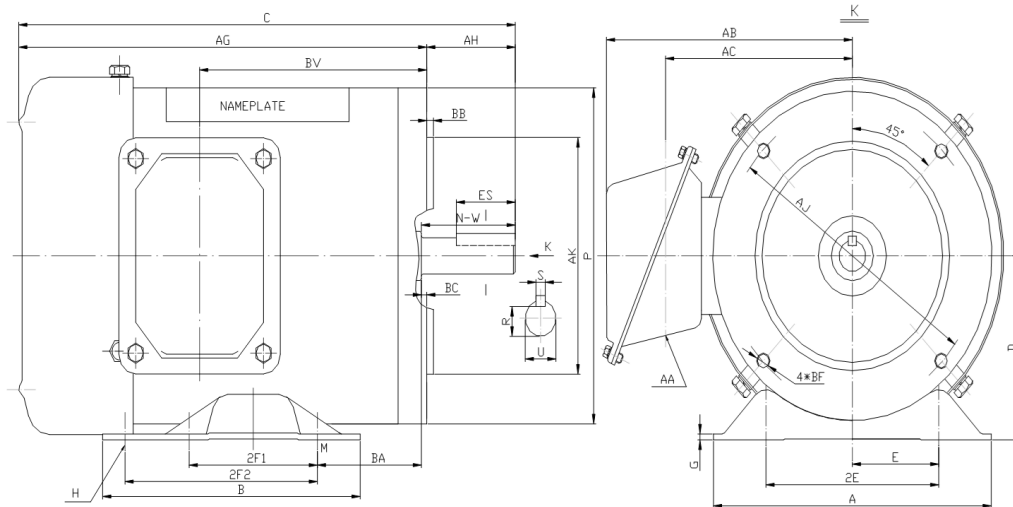
WASHDOWN DUTY MOTOR

NEMA PREMIUM EFFICIENCY

STAINLESS STEEL CONSTRUCTION - C-FLANGE WITH FEET

TOTALLY ENCLOSED FAN COOLED - IP66 CONSTRUCTION

INVERTER DUTY 10:1 CT; 20:1 VT - NEMA MG1 PART 31



### DIMENSIONS

HP	RPM	Frame	MOUNTING												
			A	B	C	D	G	H	E	2E	2F1	2F2	P	AG	BA
1.5	3600	56C	6.5	6.5	12.57	3.5	0.118	1.22*0.34	2.44	4.88	3	5	6.5	10.51	2.75

FLANGE						Shaft Extension, Key Set					Conduit Box			
AH	AJ	AK	BB	BC	BF	U	R	S	ES	N-W	AA	AB	AC	BV
2.06	5.875	4.5	0.16	-0.19	4*3/8-16	0.625	0.517	0.188	1.41	1.88	0.86	5.75	4.25	6.3

Bearings		Mount
DE	ODE	
6205-2RS	6205-2RS	F1

**BEARING LUBRICATIONS:** The sealed bearings come lubricated with NEVASTANE XS 80 Grease which complies with FDA Chapter 21 CFR 178.3570



## PESS56C1.5M-2

**WASHDOWN DUTY MOTOR**

**NEMA PREMIUM EFFICIENCY**

**STAINLESS STEEL CONSTRUCTION - C-FLANGE WITH FEET**

**TOTALLY ENCLOSED FAN COOLED - IP66 CONSTRUCTION**

**INVERTER DUTY 10:1 CT; 20:1 VT - NEMA MG1 PART 31**

### PERFORMANCE DATA

HP	RPM	Frame	Voltage	Frequency (Hz)	Full Load S.F.	Insulation Class	NEMA Design	Slip (%)	NEMA Code	Enclosure Type	IP Rating	Max. Ambient
1.5	3480	56C	208-230/460	60	1.15	F	B	3.3	K	TEFC	66	40 °C

Amps (460V)		Efficiency (%)			Power Factor			Torque (ft-lb)			DE Bearing	ODE Bearing	Connection	Weight (lbs.)
FLA	LRA	100%	75%	50%	100%	75%	50%	FLT	LRT %	BDT %				
2	20	84.0	78.0	74.0	0.86	0.82	0.73	2.3	285	300	6205-2RS	6205-2RS	9 Lead 2Y/Y	39

### NAME PLATE

		<b>THREE PHASE AC INDUCTION MOTOR</b> <b>INVERTER DUTY 20:1 VT; 10:1 CT</b>								Hernando, MS 38632			
		Model : PESS56C1.5M-2				IP 66		FRAME 56C		LB/WT 39			
HZ 60		S.F. 1.15		HZ 50		S.F. 1.0		NEMA DESIGN B					
HP 1.5		RPM 3480		HP 1.5		RPM 2865		ENCL. TEFC		INS F			
VOLTS 208-230/460				VOLTS 190/380				DUTY CONT		AMB 40 °C			
AMPS 4.2 - 4 / 2				AMPS 4.8/2.4				DE BRG 6205-2RS					
CODE K		P.F. 0.86		CODE K		P.F. 0.88		ODE BRG 6205-2RS					
EFF 84.0		MIN 81.5		EFF 81.5		MIN 78.5		SER NO.					
<div style="display: flex; justify-content: space-around;"> <div style="text-align: center;"> <p>208-230V</p> </div> <div style="text-align: center;"> <p>460V</p> </div> </div>												CC082A MADE IN CHINA	

Factory Certified for T2B  
 Div 2. Class I, Gr. A , B , C & D  
 and Class II, Gr. F & G

### APPLICATIONS:

Applications include washdown applications, food processing, chemical processing, pharmaceuticals, poultry processing, meat processing, dairy applications, bakeries, snack foods, bottling and extremely corrosive environments.