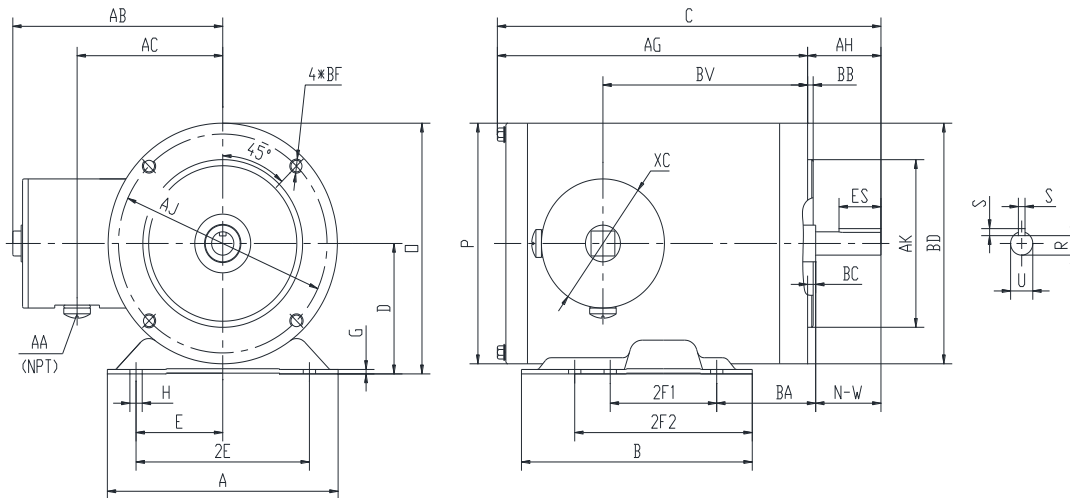




**PES56C2M-2-A-NV**

**WASHDOWN DUTY MOTOR  
 NEMA PREMIUM EFFICIENCY  
 STAINLESS STEEL CONSTRUCTION - C-FLANGE WITH FEET  
 TOTALLY ENCLOSED NON VENTILATED - IP66 CONSTRUCTION  
 INVERTER DUTY 10:1 CT; 20:1 VT - NEMA MG1 PART 31**



**DIMENSIONS**

HP	RPM	Frame	MOUNTING													
			A	B	C	D	G	H	E	2E	2F1	2F2	O	P	AG	BA
2	3600	56C	6.5	6.5	13.75	3.5	0.118	1.22*0.34	2.44	4.88	3	5	6.73	6.45	11.69	2.75

FLANGE							Shaft Extension, Key Set				
AH	AJ	AK	BB	BC	BD	BF	U	R	S	ES	N-W
2.06	5.875	4.5	0.16	-0.19	6.45	4*3/8-16	0.625	0.517	0.188	1.41	1.88

Conduit Box					Bearings		Mount
AA	AB	AC	BV	XC	DE	ODE	
0.5	5.95	4.5	6.95	3.45	6205-2RS	6205-2RS	F1

**BEARING LUBRICATION:** The bearings come lubricated with Mobil Polyrex EM Polyurea Grease.





## PESS56C2M-2-A-NV

**WASHDOWN DUTY MOTOR**  
**NEMA PREMIUM EFFICIENCY**  
**STAINLESS STEEL CONSTRUCTION - C-FLANGE WITH FEET**  
**TOTALLY ENCLOSED NON VENTILATED - IP66 CONSTRUCTION**  
**INVERTER DUTY 10:1 CT; 20:1 VT - NEMA MG1 PART 31**

### PERFORMANCE DATA

HP	RPM	Frame	Voltage	Frequency (Hz)	Full Load S.F.	Insulation Class	NEMA Design	Slip (%)	NEMA Code	Enclosure Type	IP Rating	Max. Ambient
2	3520	56C	230/460	60	1.15	F	B	2.2	L	TENV	66	40 °C

Amps (460V)		Efficiency (%)			Power Factor			Torque (ft-lb)			DE Bearing	ODE Bearing	Connection	Weight (lbs.)
FLA	LRA	100%	75%	50%	100%	75%	50%	FLT	LRT %	BDT %				
2.5	25	85.5	86.0	85.0	0.90	0.85	0.76	2.9	285	300	6205-2RS	6205-2RS	9 Lead 2Y/Y	60

\*Usable at 208 Volts

### NAME PLATE

		<b>THREE PHASE AC INDUCTION MOTOR</b> <b>INVERTER DUTY 20:1 VT; 10:1 CT</b>						Hernando, MS 38632					
Model :		PESS56C2M-2-A-NV				IP	66	FRAME	56C	LB/WT	60		
HZ	60	S.F.	1.15	HZ	50	S.F.	1.0	NEMA DESIGN		B			
HP	2	RPM	3520	HP	2	RPM	2895	ENCL.	TENV	INS	F		
VOLTS		230/460			VOLTS		190/380		DUTY	CONT	AMB 40 °C		
AMPS		5/2.5			AMPS		6.0/3.0		DE BRG		6205-2RS		
CODE	L	P.F.	0.90	CODE	J	P.F.	0.91	ODE BRG		6205-2RS			
EFF	85.5	MIN	82.5	EFF	84.0	MIN	81.5	SER NO.					
								CC082A		MADE IN CHINA			

Factory Certified for T2B  
Div 2. Class I, Gr. A , B , C & D  
and Class II, Gr. F & G

### APPLICATIONS:

Applications include washdown applications, food processing, chemical processing, pharmaceuticals, poultry processing, meat processing, dairy applications, bakeries, snack foods, bottling and extremely corrosive environments.