



PEXP215TC-10-4

EXPLOSION PROOF ELECTRIC MOTOR

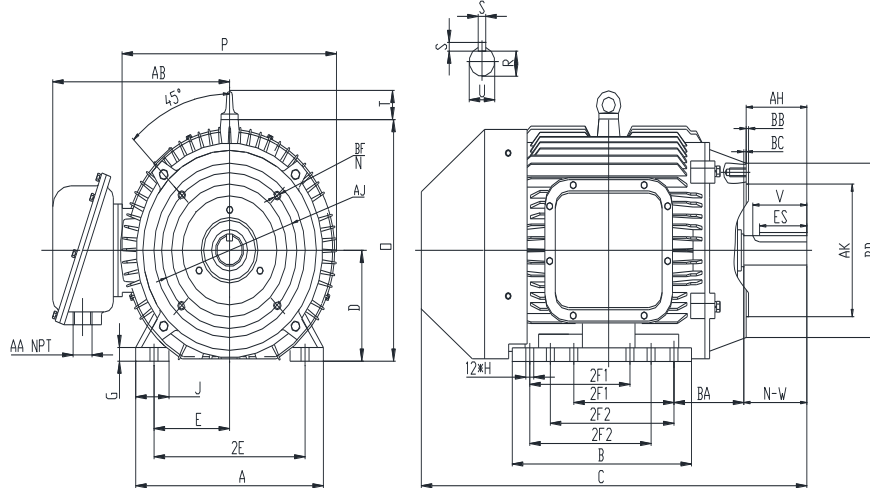
NEMA PREMIUM EFFICIENCY

TOTALLY ENCLOSED FAN COOLED; EXPLOSION PROOF ENCLOSURE - C-FLANGE WITH FEET

CLASS I DIVISION I GROUP C & D; CLASS II DIVISION I GROUP F & G

T3C, with Ambient Temperature Rating: -20° C to 55° C @ 1.15 SF

T3C, with Ambient Temperature Rating: -20° C to 40° C @ 1.0 SF for Inverter Duty



DIMENSIONS

HP	RPM	Frame	MOUNTING														
			A	B	C	D	G	H	J	E	2E	2F1	2F2	O	P	T	BA
10	1800	215TC	10.43	10.08	21.85	5.25	0.87	0.41	2.16	4.25	8.5	5.5	7	11.4	12.56	2.04	3.5

FLANGE							Shaft Extension, Key Set					
AH	AJ	AK	BB	BC	BD	BF	U	V	R	S	ES	N-W
3.12	7.25	8.5	0.25	0.25	9	4*1/2-13	1.375	3.12	1.201	0.312	2.41	3.38

Conduit Box		Bearings		Mount
AA	AB	DE	ODE	
1	11.37	6308-ZZ	6308-ZZ	F1

BEARING LUBRICATION: The bearings come lubricated with Mobil Polyrex EM Polyurea Grease.





PEXP215TC-10-4

EXPLOSION PROOF ELECTRIC MOTOR

NEMA PREMIUM EFFICIENCY

TOTALLY ENCLOSED FAN COOLED; EXPLOSION PROOF ENCLOSURE - C-FLANGE WITH FEET

CLASS I DIVISION I GROUP C & D; CLASS II DIVISION I GROUP F & G

T3C, with Ambient Temperature Rating: -20° C to 55° C @ 1.15 SF

T3C, with Ambient Temperature Rating: -20° C to 40° C @ 1.0 SF for Inverter Duty

PERFORMANCE DATA

HP	RPM	Frame	Voltage	Frequency (Hz)	Full Load S.F.	Insulation Class	NEMA Design	Slip (%)	NEMA Code	Enclosure Type	IP Rating	Max. Ambient	Oper Temp Code	Max. KVAR
10	1770	215TC	230/460	60	1.15	F	B	1.7	H	TEXP	55	40 °C	T3C	3.0

Amps (460V)		Max. Amps (208V)	Efficiency (%)			Power Factor			Torque (ft-lb)			DE Bearing	ODE Bearing	Connection	Weight (lbs.)
FLA	LRA	60Hz	100%	75%	50%	100%	75%	50%	FLT	LRT %	BDT %	6308-ZZ	6308-ZZ	9 Lead 2Δ/Δ	272
12.2	81	26.98	91.7	92.0	90.0	0.86	0.86	0.78	29.8	165	200				

*Usable at 208 Volts

NAME PLATE

		AC INDUCTION MOTOR PREMIUM EFFICIENCY EXPLOSION-PROOF						CONNECTION DIAGRAMS					
CAT. NO. PEXP215TC-10-4		FRAME 215TC		RATING CONT		PHASE 3							
DE BRG. 6308-ZZ		ODE BRG. 6308-ZZ		LUB. Mobil Polyrex EM									
MAX. AMB. 40 °C		INS. CLASS F		CONN. 9 Lead 2Δ/Δ		SER.							
ENCL TEXP		WEIGHT 272											
60 HERTZ DATA		HP 10		RPM 1770		HP 10		RPM 1475					
		VOLTS 230/460				VOLTS 190/380							
		F.L. AMPS 24.4 / 12.2				F.L. AMPS 29.5/14.8							
		S.F. AMPS 14.03				S.F. AMPS 29.5/14.8							
		S.F. 1.15		DESIGN B		CODE H		S.F. 1.0		DESIGN B		CODE H	
		NEMA NOM.EFF 91.7		NOM. P.F. 0.86		NEMA NOM.EFF 90.4		NOM. P.F. 0.86		460V 			
NEMA MIN.EFF 90.2		MAX. KVAR 3.0		NEMA MIN.EFF 88.5									
General purpose use on industrial machinery installed in damp, dusty or dirty environments. These motors are designed for use in hazardous locations defined by class and group.								CC041B					
Hernando, MS 38632													



PEXP215TC-10-4

EXPLOSION PROOF ELECTRIC MOTOR

NEMA PREMIUM EFFICIENCY


TOTALLY ENCLOSED FAN COOLED; EXPLOSION PROOF ENCLOSURE - C-FLANGE WITH FEET

CLASS I DIVISION I GROUP C & D; CLASS II DIVISION I GROUP F & G

T3C, with Ambient Temperature Rating: -20 ° C to 55 ° C @ 1.15 SF

T3C, with Ambient Temperature Rating: -20° C to 40° C @ 1.0 SF for Inverter Duty

UL NAME PLATE

 LISTED E310089	ELECTRIC MOTOR FOR HAZARDOUS LOCATIONS			NO.XXXXXX
	Classes and Groups	Temp. code	Max. Amb.	Frame
CLASS I DIVISION 1 GROUP C D,	T3C	40°C, 55°C	140/180/210	
CLASS II DIVISION 1 GROUP F G.	T3C	40°C	250~449	
CLASS I DIVISION 1 GROUP C D.	T2B	55°C	250~449	
Inverter Rated				
PWM - Constant Torque - 12 to 60 Hertz, Variable Torque - 6 to 60 Hertz when the input to the PWM is 480V/60Hz;				
PWM - Constant Torque - 10 to 50 Hertz, Variable Torque - 5 to 50 Hertz, when the input to the PWM is 380V/50Hz.				
NEMA MG1-Part 31				8AP.866.1102

APPLICATIONS:

General purpose use on pumps, fans, blowers, compressors, conveyors, material handling and other industrial machinery installed in damp, dusty or dirty environments. These motors are designed to be used in hazardous locations as defined by class and group.