



## PEXP254TC-15-4

**EXPLOSION PROOF ELECTRIC MOTOR**

**NEMA PREMIUM EFFICIENCY**

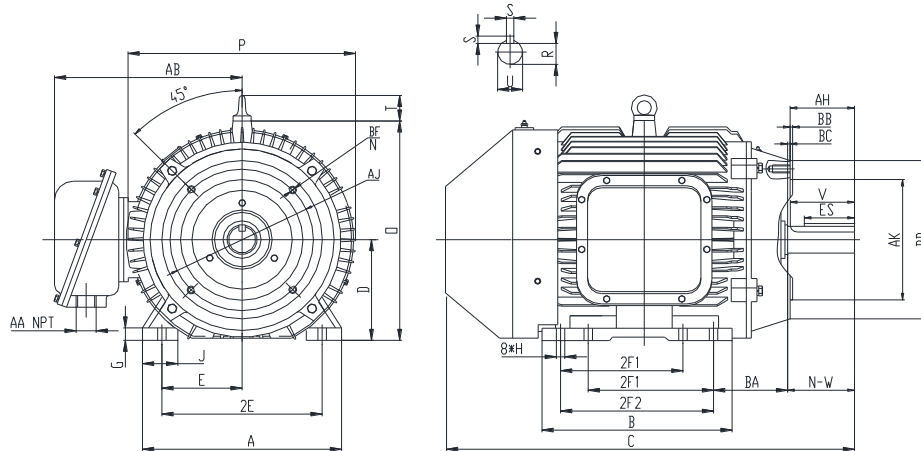
**TOTALLY ENCLOSED FAN COOLED; EXPLOSION PROOF ENCLOSURE - C-FLANGE WITH FEET**

**CLASS I DIVISION I GROUP C & D; CLASS II DIVISION I GROUP F & G**

**T3C, with Ambient Temperature Rating: -20° C to 40° C @ 1.15 SF, or 1.0 SF for Inverter Duty**

**CLASS I DIVISION I GROUP C & D**

**T2B, with Ambient Temperature Rating: -20° C to 55° C @ 1.15 SF, or 1.0 SF for Inverter Duty**



### DIMENSIONS

HP	RPM	Frame	MOUNTING														
			A	B	C	D	G	H	J	E	2E	2F1	2F2	O	P	T	BA
15	1800	254TC	12.36	12.36	24.95	6.25	0.87	0.53	2.75	5	10	8.25	10	13.37	14.47	2.5	4.25

FLANGE							Shaft Extension, Key Set						
AH	AJ	AK	BB	BC	BD	BF	U	V	R	S	ES	N-W	
3.75	7.25	8.5	0.25	0.25	10	4*1/2-13	1.625	3.75	1.416	0.375	2.91	4	

Conduit Box		Bearings		Mount
AA	AB	DE	ODE	
1.25	13.38	6309/C3	6309/C3	F1

**BEARING LUBRICATION:** The bearings come lubricated with Mobil Polyrex EM Polyurea Grease. It is recommended that you add some additional lubrication when the motor is installed.

Three options (brands) for suitable lubrication include, but are not limited to, the following:

- 1.) Mobil Polyrex EM
- 2.) Citco Polyurea MP
- 3.) Conoco Phillips Polytac EP





## PEXP254TC-15-4

**EXPLOSION PROOF ELECTRIC MOTOR**

**NEMA PREMIUM EFFICIENCY**

**TOTALLY ENCLOSED FAN COOLED; EXPLOSION PROOF ENCLOSURE - C-FLANGE WITH FEET**

**CLASS I DIVISION I GROUP C & D; CLASS II DIVISION I GROUP F & G**

**T3C, with Ambient Temperature Rating: -20° C to 40° C @ 1.15 SF, or 1.0 SF for Inverter Duty**

**CLASS I DIVISION I GROUP C & D**

**T2B, with Ambient Temperature Rating: -20° C to 55° C @ 1.15 SF, or 1.0 SF for Inverter Duty**

### PERFORMANCE DATA

HP	RPM	Frame	Voltage	Frequency (Hz)	Full Load S.F.	Insulation Class	NEMA Design	Slip (%)	NEMA Code	Enclosure Type	IP Rating	Max. Ambient	Oper Temp Code	Max. KVAR
15	1770	254TC	208-230/460	60	1.15	F	B	1.7	G	TEXP	55	40 °C	T3C	1.2

Amps (460V)		Max. Amps (208V)	Efficiency (%)			Power Factor			Torque (ft-lb)			DE Bearing	ODE Bearing	Connection	Weight (lbs.)
FLA	LRA	60Hz	100%	75%	50%	100%	75%	50%	FLT	LRT %	BDT %				
17.5	116	38.70	92.4	90.0	89.0	0.87	0.86	0.78	44.6	160	200	6309/C3	6309/C3	9 Lead 2Δ/Δ	403

### NAME PLATE

		<b>AC INDUCTION MOTOR</b> PREMIUM EFFICIENCY EXPLOSION-PROOF						CONNECTION DIAGRAMS																
CAT. NO.		PEXP254TC-15-4		FRAME		254TC		RATING CONT		PHASE		3												
DE BRG.			6309/C3			ODE BRG.			6309/C3			LUB.			Mobil Polyrex EM									
MAX. AMB.		40 °C		INS. CLASS		F		CONN.		9 Lead 2Δ/Δ		SER.												
USABLE ON 208V 60HZ AT				38.7 MAX AMPS				ENCL		TEXP		WEIGHT			403									
60 HERTZ DATA	HP		15		RPM		1770		HP		15		RPM		1475									
	VOLTS				208-230/460				VOLTS				190/380											
	F.L. AMPS				38.7 - 35 / 17.5				F.L. AMPS				42.4/21.2											
	S.F. AMPS				20.13				S.F. AMPS				42.4/21.2											
	S.F.		1.15		DESIGN		B		CODE		G		S.F.		1.0		DESIGN		B		CODE		H	
	NEMA NOM.EFF		92.4		NOM. P.F.		0.87		NEMA NOM.EFF		91.5		NOM. P.F.		0.87									
NEMA MIN.EFF		91.0		MAX. KVAR		1.2		NEMA MIN.EFF		89.8														
General purpose use on industrial machinery installed in damp, dusty or dirty environments. These motors are designed for use in hazardous locations defined by class and group. Hernando, MS 38632												CC041B												
												208-230V 												
												460V 												



**PEXP254TC-15-4**

**EXPLOSION PROOF ELECTRIC MOTOR**

**NEMA PREMIUM EFFICIENCY**

**TOTALLY ENCLOSED FAN COOLED; EXPLOSION PROOF ENCLOSURE - C-FLANGE WITH FEET**


**CLASS I DIVISION I GROUP C & D; CLASS II DIVISION I GROUP F & G**

**T3C, with Ambient Temperature Rating: -20° C to 40° C @ 1.15 SF, or 1.0 SF for Inverter Duty**

**CLASS I DIVISION I GROUP C & D**

**T2B, with Ambient Temperature Rating: -20° C to 55° C @ 1.15 SF, or 1.0 SF for Inverter Duty**

**UL NAME PLATE**

 LISTED E310089	ELECTRIC MOTOR FOR HAZARDOUS LOCATIONS			NO. XXXXXX
	Classes and Groups	Temp. code	Max. Amb.	Frame
	CLASS I DIVISION 1 GROUP C D,	T3C	40°C, 55°C	140/180/210
	CLASS II DIVISION 1 GROUP F G,	T3C	40°C	250~449
	CLASS I DIVISION 1 GROUP C D.	T2B	55°C	250~449
Inverter Rated				
PWM - Constant Torque - 12 to 60 Hertz, Variable Torque - 6 to 60 Hertz when the input to the PWM is 480V/60Hz;				
PWM - Constant Torque - 10 to 50 Hertz, Variable Torque - 5 to 50 Hertz, when the input to the PWM is 380V/50Hz.				
NEMA MG1-Part 31				8AP.866.1102

**APPLICATIONS:**

General purpose use on pumps, fans, blowers, compressors, conveyors, material handling and other industrial machinery installed in damp, dusty or dirty environments. These motors are designed to be used in hazardous locations as defined by class and group.