



## PEXP286TC-30-4

**EXPLOSION PROOF ELECTRIC MOTOR**

**NEMA PREMIUM EFFICIENCY**

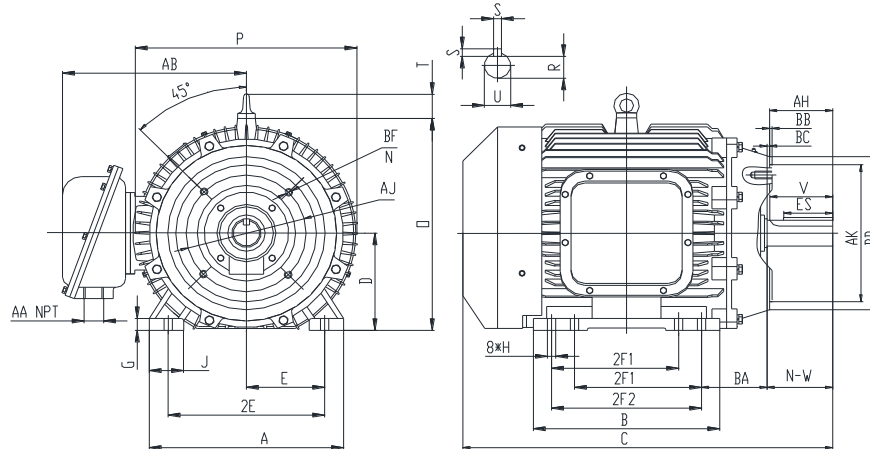
**TOTALLY ENCLOSED FAN COOLED; EXPLOSION PROOF ENCLOSURE - C-FLANGE WITH FEET**

**CLASS I DIVISION I GROUP C & D; CLASS II DIVISION I GROUP F & G**

**T3C, with Ambient Temperature Rating: -20° C to 40° C @ 1.15 SF, or 1.0 SF for Inverter Duty**

**CLASS I DIVISION I GROUP C & D**

**T2B, with Ambient Temperature Rating: -20° C to 55° C @ 1.15 SF, or 1.0 SF for Inverter Duty**



### DIMENSIONS

HP	RPM	Frame	MOUNTING														
			A	B	C	D	G	H	J	E	2E	2F1	2F2	O	P	T	BA
30	1800	286TC	13.74	13.74	28.54	7	0.87	0.53	2.75	5.5	11	9.5	11	15.4	16.24	2.5	4.75

FLANGE							Shaft Extension, Key Set						
AH	AJ	AK	BB	BC	BD	BF	U	V	R	S	ES	N-W	
4.38	9	10.5	0.25	0.25	11.25	4*1/2-13	1.875	4.38	1.591	0.5	3.28	4.62	

Conduit Box		Bearings		Mount
AA	AB	DE	ODE	
1.5	14.17	6310/C3	6310/C3	

**BEARING LUBRICATION:** The bearings come lubricated with Mobil Polyrex EM Polyurea Grease. It is recommended that you add some additional lubrication when the motor is installed.

Three options (brands) for suitable lubrication include, but are not limited to, the following:

- 1.) Mobil Polyrex EM
- 2.) Citco Polyurea MP
- 3.) Conoco Phillips Polytac EP





## PEXP286TC-30-4

**EXPLOSION PROOF ELECTRIC MOTOR**

**NEMA PREMIUM EFFICIENCY**

**TOTALLY ENCLOSED FAN COOLED; EXPLOSION PROOF ENCLOSURE - C-FLANGE WITH FEET**

**CLASS I DIVISION I GROUP C & D; CLASS II DIVISION I GROUP F & G**

**T3C, with Ambient Temperature Rating: -20° C to 40° C @ 1.15 SF, or 1.0 SF for Inverter Duty**

**CLASS I DIVISION I GROUP C & D**

**T2B, with Ambient Temperature Rating: -20° C to 55° C @ 1.15 SF, or 1.0 SF for Inverter Duty**

### PERFORMANCE DATA

HP	RPM	Frame	Voltage	Frequency (Hz)	Full Load S.F.	Insulation Class	NEMA Design	Slip (%)	NEMA Code	Enclosure Type	IP Rating	Max. Ambient	Oper Temp Code	Max. KVAR
30	1774	286TC	208-230/460	60	1.15	F	B	1.4	G	TEXP	55	40 °C	T3C	7.6

Amps (460V)		Max. Amps (208V)	Efficiency (%)			Power Factor			Torque (ft-lb)			DE Bearing	ODE Bearing	Connection	Weight (lbs.)
FLA	LRA	60Hz	100%	75%	50%	100%	75%	50%	FLT	LRT %	BDT %				
32.5	217.5	71.88	93.6	93.7	93.1	0.87	0.86	0.81	88.7	150	200	6310/C3	6310/C3	9 Lead 2Δ/Δ	580

### NAME PLATE

		<b>AC INDUCTION MOTOR</b> PREMIUM EFFICIENCY EXPLOSION-PROOF						CONNECTION DIAGRAMS								
CAT. NO. PEXP286TC-30-4		FRAME 286TC		RATING CONT		PHASE 3			208-230V 							
DE BRG. 6310/C3		ODE BRG. 6310/C3		LUB. Mobil Polyrex EM												
MAX. AMB. 40 °C		INS. CLASS F		CONN. 9 Lead 2Δ/Δ		SER.										
USABLE ON 208V 60HZ AT 71.9 MAX AMPS				ENCL TEXP		WEIGHT 580										
60 HERTZ DATA		HP 30		RPM 1774		HP 30		RPM 1478		50 HERTZ DATA						
		VOLTS 208-230/460				VOLTS 190/380										
		F.L. AMPS 71.9 - 65 / 32.5				F.L. AMPS 78.7/39.4										
		S.F. AMPS 37.38				S.F. AMPS 78.7/39.4										
		S.F. 1.15		DESIGN B		CODE G		S.F. 1.0					DESIGN B		CODE H	
		NEMA NOM.EFF 93.6		NOM. P.F. 0.87		NEMA NOM.EFF 93.0		NOM. P.F. 0.87								
NEMA MIN.EFF 92.4		MAX. KVAR 7.6		NEMA MIN.EFF 91.6					460V 							
General purpose use on industrial machinery installed in damp, dusty or dirty environments. These motors are designed for use in hazardous locations defined by class and group. Hernando, MS 38632				CC041B												



**PEXP286TC-30-4**

**EXPLOSION PROOF ELECTRIC MOTOR**

**NEMA PREMIUM EFFICIENCY**

**TOTALLY ENCLOSED FAN COOLED; EXPLOSION PROOF ENCLOSURE - C-FLANGE WITH FEET**


**CLASS I DIVISION I GROUP C & D; CLASS II DIVISION I GROUP F & G**

**T3C, with Ambient Temperature Rating: -20° C to 40° C @ 1.15 SF, or 1.0 SF for Inverter Duty**

**CLASS I DIVISION I GROUP C & D**

**T2B, with Ambient Temperature Rating: -20° C to 55° C @ 1.15 SF, or 1.0 SF for Inverter Duty**

**UL NAME PLATE**

 LISTED E310089	ELECTRIC MOTOR FOR HAZARDOUS LOCATIONS			NO. XXXXXX
	Classes and Groups	Temp. code	Max. Amb.	Frame
	CLASS I DIVISION 1 GROUP C D,	T3C	40°C, 55°C	140/180/210
	CLASS II DIVISION 1 GROUP F G,	T3C	40°C	250~449
	CLASS I DIVISION 1 GROUP C D.	T2B	55°C	250~449
Inverter Rated				
PWM - Constant Torque - 12 to 60 Hertz, Variable Torque - 6 to 60 Hertz when the input to the PWM is 480V/60Hz;				
PWM - Constant Torque - 10 to 50 Hertz, Variable Torque - 5 to 50 Hertz, when the input to the PWM is 380V/50Hz.				
NEMA MG1-Part 31				8AP.866.1102

**APPLICATIONS:**

General purpose use on pumps, fans, blowers, compressors, conveyors, material handling and other industrial machinery installed in damp, dusty or dirty environments. These motors are designed to be used in hazardous locations as defined by class and group.