



PEXP324TS-40-2

EXPLOSION PROOF ELECTRIC MOTOR

NEMA PREMIUM EFFICIENCY

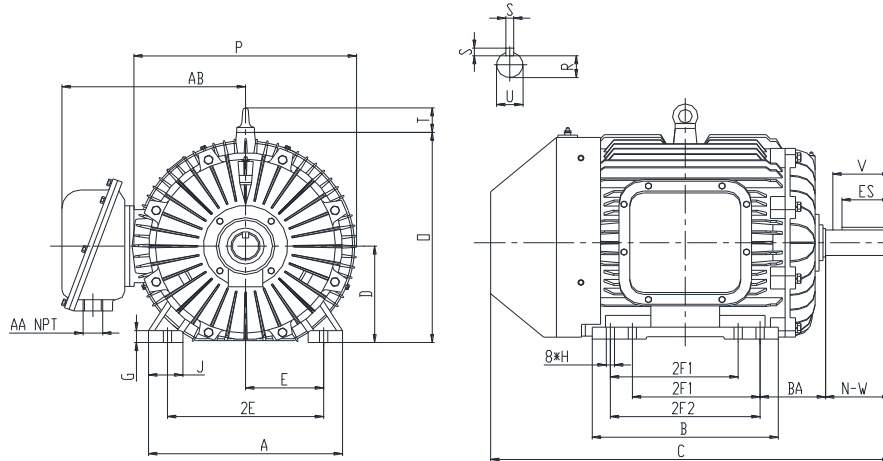
TOTALLY ENCLOSED FAN COOLED; EXPLOSION PROOF ENCLOSURE

CLASS I DIVISION I GROUP C & D; CLASS II DIVISION I GROUP F & G

T3C, with Ambient Temperature Rating: -20° C to 40° C @ 1.15 SF, or 1.0 SF for Inverter Duty

CLASS I DIVISION I GROUP C & D

T2B, with Ambient Temperature Rating: -20° C to 55° C @ 1.15 SF, or 1.0 SF for Inverter Duty



DIMENSIONS

| HP | RPM | Frame | MOUNTING | | | | | | | | | | | | | | |
|----|------|-------|----------|----|-------|---|---|------|------|------|------|------|-----|-------|-------|---|------|
| | | | A | B | C | D | G | H | J | E | 2E | 2F1 | 2F2 | O | P | T | BA |
| 40 | 3600 | 324TS | 15.5 | 15 | 30.27 | 8 | 1 | 0.66 | 2.75 | 6.25 | 12.5 | 10.5 | 12 | 17.45 | 18.34 | 3 | 5.25 |

| Shaft Extension, Key Set | | | | | | Conduit Box | | Bearings | | Mount |
|--------------------------|-----|-------|-----|------|------|-------------|------|----------|------|-------|
| U | V | R | S | ES | N-W | AA | AB | DE | ODE | |
| 1.875 | 3.5 | 1.591 | 0.5 | 2.03 | 3.75 | 2 | 15.2 | 6312 | 6312 | F1 |

BEARING LUBRICATION: The bearings come lubricated with Mobil Polyrex EM Polyurea Grease. It is recommended that you add some additional lubrication when the motor is installed.

Three options (brands) for suitable lubrication include, but are not limited to, the following:

- 1.) Mobil Polyrex EM
- 2.) Citco Polyurea MP
- 3.) Conoco Phillips Polytac EP





PEXP324TS-40-2

EXPLOSION PROOF ELECTRIC MOTOR

NEMA PREMIUM EFFICIENCY

TOTALLY ENCLOSED FAN COOLED; EXPLOSION PROOF ENCLOSURE

CLASS I DIVISION I GROUP C & D; CLASS II DIVISION I GROUP F & G

T3C, with Ambient Temperature Rating: -20° C to 40° C @ 1.15 SF, or 1.0 SF for Inverter Duty

CLASS I DIVISION I GROUP C & D

T2B, with Ambient Temperature Rating: -20° C to 55° C @ 1.15 SF, or 1.0 SF for Inverter Duty

PERFORMANCE DATA

| HP | RPM | Frame | Voltage | Frequency (Hz) | Full Load S.F. | Insulation Class | NEMA Design | Slip (%) | NEMA Code | Enclosure Type | IP Rating | Max. Ambient | Oper Temp Code | Max. KVAR |
|----|------|-------|-------------|----------------|----------------|------------------|-------------|----------|-----------|----------------|-----------|--------------|----------------|-----------|
| 40 | 3571 | 324TS | 208-230/460 | 60 | 1.15 | F | B | 0.8 | G | TEXP | 55 | 40 °C | T3C | 9.5 |

| Amps (460V) | | Max. Amps (208V) | Efficiency (%) | | | Power Factor | | | Torque (ft-lb) | | | DE Bearing | ODE Bearing | Connection | Weight (lbs.) |
|-------------|-----|------------------|----------------|------|------|--------------|------|------|----------------|-------|-------|------------|-------------|-------------|---------------|
| FLA | LRA | 60Hz | 100% | 75% | 50% | 100% | 75% | 50% | FLT | LRT % | BDT % | 6312 | 6312 | 9 Lead 2Δ/Δ | 707 |
| 44.5 | 290 | 98.41 | 92.4 | 92.4 | 91.8 | 0.88 | 0.90 | 0.85 | 59.2 | 125 | 200 | | | | |

NAME PLATE

| | | | | | | | | | | | | | | | | | | | | | | | | | | | | |
|--|--|--|--|---------------|--|------------------|--|---------------------|--|--------------|------------------|--------------|--|------------|--|------|--|----------|--|--|--------|--|---|--|------|--|---|--|
| | | AC INDUCTION MOTOR PREMIUM EFFICIENCY EXPLOSION-PROOF | | | | | | CONNECTION DIAGRAMS | | | | | | | | | | | | | | | | | | | | |
| CAT. NO. | | PEXP324TS-40-2 | | FRAME | | 324TS | | RATING CONT | | PHASE 3 | | 208-230V | | | | | | | | | | | | | | | | |
| DE BRG. | | 6312 | | ODE BRG. | | 6312 | | LUB. | | | Mobil Polyrex EM | | | | | | | | | | | | | | | | | |
| MAX. AMB. | | 40 °C | | INS. CLASS | | F | | CONN. | | 9 Lead 2Δ/Δ | | SER. | | | | | | | | | | | | | | | | |
| USABLE ON 208V 60HZ AT | | | | 98.4 MAX AMPS | | | | ENCL | | TEXP | | WEIGHT 707 | | | | | | | | | | | | | | | | |
| 60 HERTZ DATA | | HP | | 40 | | RPM | | 3571 | | HP | | 40 | | RPM | | 2976 | | 460V | | | | | | | | | | |
| | | VOLTS | | | | 208-230/460 | | | | VOLTS | | | | 190/380 | | | | | | | | | | | | | | |
| | | F.L. AMPS | | | | 98.4 - 89 / 44.5 | | | | F.L. AMPS | | | | 107.7/53.9 | | | | | | | | | | | | | | |
| | | S.F. AMPS | | | | 51.18 | | | | S.F. AMPS | | | | 107.7/53.9 | | | | | | | | | | | | | | |
| | | S.F. | | 1.15 | | DESIGN | | B | | CODE | | G | | S.F. | | 1.0 | | | | | DESIGN | | B | | CODE | | H | |
| | | NEMA NOM.EFF | | 92.4 | | NOM. P.F. | | 0.88 | | NEMA NOM.EFF | | 93.3 | | NOM. P.F. | | 0.88 | | | | | | | | | | | | |
| NEMA MIN.EFF | | 91.0 | | MAX. KVAR | | 9.5 | | NEMA MIN.EFF | | 92.0 | | | | | | | | | | | | | | | | | | |
| General purpose use on industrial machinery installed in damp, dusty or dirty environments. These motors are designed for use in hazardous locations defined by class and group. Hernando, MS 38632 | | | | | | | | | | | | CC041B | | | | | | | | | | | | | | | | |



PEXP324TS-40-2

EXPLOSION PROOF ELECTRIC MOTOR

NEMA PREMIUM EFFICIENCY

TOTALLY ENCLOSED FAN COOLED; EXPLOSION PROOF ENCLOSURE


CLASS I DIVISION I GROUP C & D; CLASS II DIVISION I GROUP F & G

T3C, with Ambient Temperature Rating: -20° C to 40° C @ 1.15 SF, or 1.0 SF for Inverter Duty

CLASS I DIVISION I GROUP C & D

T2B, with Ambient Temperature Rating: -20° C to 55° C @ 1.15 SF, or 1.0 SF for Inverter Duty

UL NAME PLATE

| | | | | |
|--|---|---------------|------------|--------------|
|  LISTED E310089 | ELECTRIC MOTOR FOR HAZARDOUS LOCATIONS | | | NO. XXXXXX |
| | Classes and Groups | Temp. code | Max. Amb. | Frame |
| | CLASS I DIVISION 1 GROUP C D, | T3C | 40°C, 55°C | 140/180/210 |
| | CLASS II DIVISION 1 GROUP F G, | T3C | 40°C | 250~449 |
| | CLASS I DIVISION 1 GROUP C D. | T2B | 55°C | 250~449 |
| Inverter Rated | | | | |
| <p>PWM - Constant Torque - 12 to 60 Hertz, Variable Torque - 6 to 60 Hertz when the input to the PWM is 480V/60Hz;</p> <p>PWM - Constant Torque - 10 to 50 Hertz, Variable Torque - 5 to 50 Hertz, when the input to the PWM is 380V/50Hz.</p> | | | | |
| NEMA MG1-Part 31 | | | | 8AP.866.1102 |

APPLICATIONS:

General purpose use on pumps, fans, blowers, compressors, conveyors, material handling and other industrial machinery installed in damp, dusty or dirty environments. These motors are designed to be used in hazardous locations as defined by class and group.