



PEXP364TS-60-2

EXPLOSION PROOF ELECTRIC MOTOR

NEMA PREMIUM EFFICIENCY

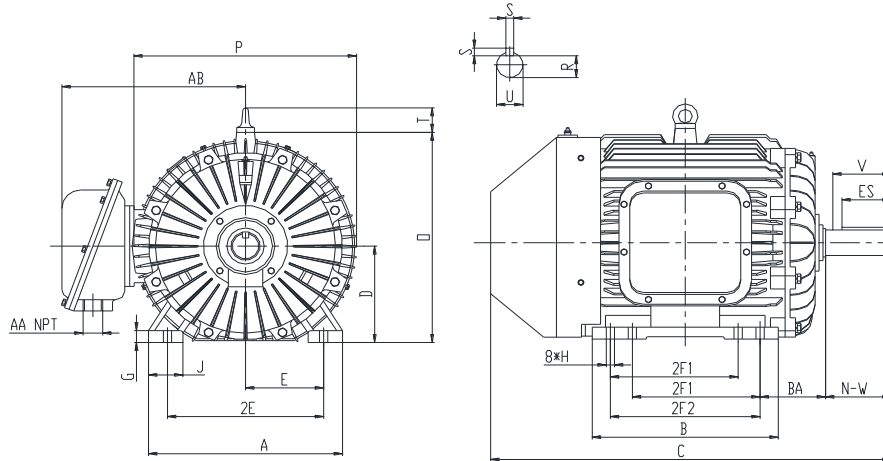
TOTALLY ENCLOSED FAN COOLED; EXPLOSION PROOF ENCLOSURE

CLASS I DIVISION I GROUP C & D; CLASS II DIVISION I GROUP F & G

T3C, with Ambient Temperature Rating: -20° C to 40° C @ 1.15 SF, or 1.0 SF for Inverter Duty

CLASS I DIVISION I GROUP C & D

T2B, with Ambient Temperature Rating: -20° C to 55° C @ 1.15 SF, or 1.0 SF for Inverter Duty



DIMENSIONS

HP	RPM	Frame	MOUNTING														
			A	B	C	D	G	H	J	E	2E	2F1	2F2	O	P	T	BA
60	3600	364TS	17.1	17.2	32.7	9	1	0.66	2.95	7	14	11.25	NA	18.97	20.27	3	5.88

Shaft Extension, Key Set						Conduit Box		Bearings		Mount
U	V	R	S	ES	N-W	AA	AB	DE	ODE	
1.875	3.5	1.591	0.5	2.03	3.75	3	17.1	6313	6313	F1

BEARING LUBRICATION: The bearings come lubricated with Mobil Polyrex EM Polyurea Grease. It is recommended that you add some additional lubrication when the motor is installed.

Three options (brands) for suitable lubrication include, but are not limited to, the following:

- 1.) Mobil Polyrex EM
- 2.) Citco Polyurea MP
- 3.) Conoco Phillips Polytac EP





PEXP364TS-60-2

EXPLOSION PROOF ELECTRIC MOTOR

NEMA PREMIUM EFFICIENCY

TOTALLY ENCLOSED FAN COOLED; EXPLOSION PROOF ENCLOSURE

CLASS I DIVISION I GROUP C & D; CLASS II DIVISION I GROUP F & G

T3C, with Ambient Temperature Rating: -20° C to 40° C @ 1.15 SF, or 1.0 SF for Inverter Duty

CLASS I DIVISION I GROUP C & D

T2B, with Ambient Temperature Rating: -20° C to 55° C @ 1.15 SF, or 1.0 SF for Inverter Duty

PERFORMANCE DATA

HP	RPM	Frame	Voltage	Frequency (Hz)	Full Load S.F.	Insulation Class	NEMA Design	Slip (%)	NEMA Code	Enclosure Type	IP Rating	Max. Ambient	Oper Temp Code	Max. KVAR
60	3573	364TS	208-230/460	60	1.15	F	B	0.8	G	TEXP	55	40 °C	T3C	14.6

Amps (460V)		Max. Amps (208V)	Efficiency (%)			Power Factor			Torque (ft-lb)			DE Bearing	ODE Bearing	Connection	Weight (lbs.)
FLA	LRA	60Hz	100%	75%	50%	100%	75%	50%	FLT	LRT %	BDT %	6313	6313	9 Lead 2Δ/Δ	860
65.5	435	144.86	93.6	93.6	93.1	0.88	0.88	0.83	88.7	120	200				

NAME PLATE

		AC INDUCTION MOTOR PREMIUM EFFICIENCY EXPLOSION-PROOF						CONNECTION DIAGRAMS																				
CAT. NO.		PEXP364TS-60-2		FRAME		364TS		RATING CONT		PHASE 3		208-230V 																
DE BRG.		6313		ODE BRG.		6313		LUB.			Mobil Polyrex EM																	
MAX. AMB.		40 °C		INS. CLASS		F		CONN.		9 Lead 2Δ/Δ		SER.																
USABLE ON 208V 60HZ AT				144.9 MAX AMPS				ENCL		TEXP		WEIGHT 860																
60 HERTZ DATA		HP		60		RPM		3573		HP		60		RPM		2978		460V 										
		VOLTS				208-230/460				VOLTS				190/380														
		F.L. AMPS				144.9 - 131 / 65.5				F.L. AMPS				158.6/79.3														
		S.F. AMPS				75.33				S.F. AMPS				158.6/79.3														
		S.F.		1.15		DESIGN		B		CODE		G		S.F.		1.0					DESIGN		B		CODE		H	
		NEMA NOM.EFF		93.6		NOM. P.F.		0.88		NEMA NOM.EFF		94.0		NOM. P.F.		0.88												
NEMA MIN.EFF		92.4		MAX. KVAR		14.6		NEMA MIN.EFF		92.8																		
General purpose use on industrial machinery installed in damp, dusty or dirty environments. These motors are designed for use in hazardous locations defined by class and group. Hernando, MS 38632												CC041B																



PEXP364TS-60-2

EXPLOSION PROOF ELECTRIC MOTOR

NEMA PREMIUM EFFICIENCY

TOTALLY ENCLOSED FAN COOLED; EXPLOSION PROOF ENCLOSURE


CLASS I DIVISION I GROUP C & D; CLASS II DIVISION I GROUP F & G

T3C, with Ambient Temperature Rating: -20° C to 40° C @ 1.15 SF, or 1.0 SF for Inverter Duty

CLASS I DIVISION I GROUP C & D

T2B, with Ambient Temperature Rating: -20° C to 55° C @ 1.15 SF, or 1.0 SF for Inverter Duty

UL NAME PLATE

 LISTED E310089		NO. XXXXXX ELECTRIC MOTOR FOR HAZARDOUS LOCATIONS	
Classes and Groups	Temp. code	Max. Amb.	Frame
CLASS I DIVISION 1 GROUP C D,	T3C	40°C, 55°C	140/180/210
CLASS II DIVISION 1 GROUP F G,	T3C	40°C	250~449
CLASS I DIVISION 1 GROUP C D.	T2B	55°C	250~449
Inverter Rated			
PWM - Constant Torque - 12 to 60 Hertz, Variable Torque - 6 to 60 Hertz when the input to the PWM is 480V/60Hz;			
PWM - Constant Torque - 10 to 50 Hertz, Variable Torque - 5 to 50 Hertz, when the input to the PWM is 380V/50Hz.			
NEMA MG1-Part 31		8AP.866.1102	

APPLICATIONS:

General purpose use on pumps, fans, blowers, compressors, conveyors, material handling and other industrial machinery installed in damp, dusty or dirty environments. These motors are designed to be used in hazardous locations as defined by class and group.