

PEXP447TC-200-4

EXPLOSION PROOF ELECTRIC MOTOR

NEMA PREMIUM EFFICIENCY

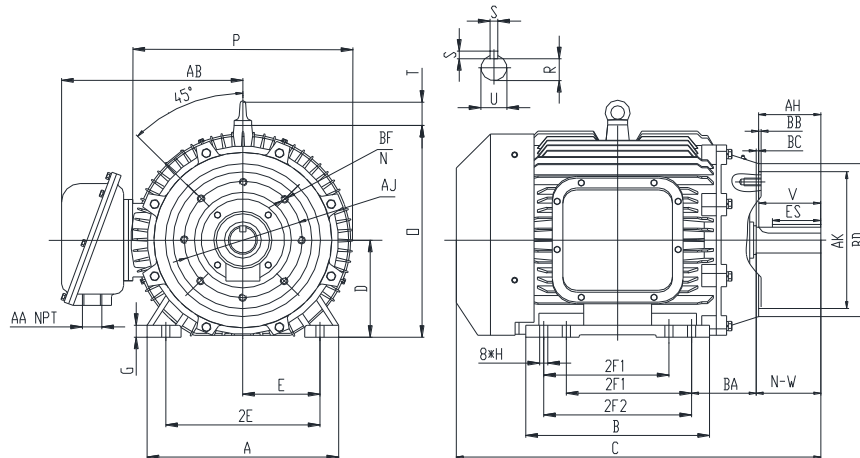
TOTALLY ENCLOSED FAN COOLED; EXPLOSION PROOF ENCLOSURE - C-FLANGE WITH FEET

CLASS I DIVISION I GROUP C & D; CLASS II DIVISION I GROUP F & G

T3C, with Ambient Temperature Rating: -20° C to 40° C @ 1.15 SF, or 1.0 SF for Inverter Duty

CLASS I DIVISION I GROUP C & D

T2B, with Ambient Temperature Rating: -20° C to 55° C @ 1.15 SF, or 1.0 SF for Inverter Duty



DIMENSIONS

HP	RPM	Frame	MOUNTING														
			A	B	C	D	G	H	J	E	2E	2F1	2F2	O	P	T	BA
200	1800	447TC	21.3	30.55	55.06	11	1.35	0.81	3.74	9	18	20	25	26.64	25.2	4.81	7.5

FLANGE							Shaft Extension, Key Set						
AH	AJ	AK	BB	BC	BD	BF	U	V	R	S	ES	N-W	
8.25	14	16	0.25	0.25	18	8*5/8-11	3.375	8.25	2.88	0.875	6.91	8.5	

Conduit Box		Bearings		Mount
AA	AB	DE	ODE	
3	21.26	6318/C3	6314/C3	F1

BEARING LUBRICATION: The bearings come lubricated with Mobil Polyrex EM Polyurea Grease. It is recommended that you add some additional lubrication when the motor is installed.

Three options (brands) for suitable lubrication include, but are not limited to, the following:

- 1.) Mobil Polyrex EM
- 2.) Citco Polyurea MP
- 3.) Conoco Phillips Polytac EP





PEXP447TC-200-4

EXPLOSION PROOF ELECTRIC MOTOR

NEMA PREMIUM EFFICIENCY

TOTALLY ENCLOSED FAN COOLED; EXPLOSION PROOF ENCLOSURE - C-FLANGE WITH FEET

CLASS I DIVISION I GROUP C & D; CLASS II DIVISION I GROUP F & G

T3C, with Ambient Temperature Rating: -20° C to 40° C @ 1.15 SF, or 1.0 SF for Inverter Duty

CLASS I DIVISION I GROUP C & D

T2B, with Ambient Temperature Rating: -20° C to 55° C @ 1.15 SF, or 1.0 SF for Inverter Duty

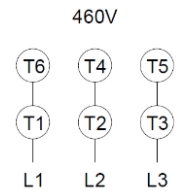
PERFORMANCE DATA

HP	RPM	Frame	Voltage	Frequency (Hz)	Full Load S.F.	Insulation Class	NEMA Design	Slip (%)	NEMA Code	Enclosure Type	IP Rating	Max. Ambient	Oper Temp Code	Max. KVAR
200	1786	447TC	460	60	1.15	F	B	0.8	G	TEXP	55	40 °C	T3C	45.2

Amps (460V)		Max. Amps (208V)	Efficiency (%)			Power Factor			Torque (ft-lb)			DE Bearing	ODE Bearing	Connection	Weight (lbs.)
FLA	LRA	60Hz	100%	75%	50%	100%	75%	50%	FLT	LRT %	BDT %				
217	1450	479.90	96.2	96.2	95.8	0.85	0.87	0.84	587	100	200	6318/C3	6314/C3	6 Lead Δ	2664

NAME PLATE

		AC INDUCTION MOTOR PREMIUM EFFICIENCY EXPLOSION-PROOF						CONNECTION DIAGRAMS																
CAT. NO.		PEXP447TC-200-4		FRAME		447TC		RATING		CONT		PHASE		3										
DE BRG.			6318/C3			ODE BRG.			6314/C3			LUB.			Mobil Polyrex EM									
MAX. AMB.		40 °C		INS. CLASS		F		CONN.		6 Lead Δ		SER.												
USABLE ON 208V 60HZ AT						479.9 MAX AMPS		ENCL		TEXP		WEIGHT 2664												
60 HERTZ DATA	HP		200		RPM		1786		HP		200		RPM		1488									
	VOLTS				460				VOLTS				380											
	F.L. AMPS				217				F.L. AMPS				262.7											
	S.F. AMPS				249.55				S.F. AMPS				262.7											
	S.F.		1.15		DESIGN		B		CODE		G		S.F.		1.0		DESIGN		B		CODE		H	
	NEMA NOM.EFF		96.2		NOM. P.F.		0.85		NEMA NOM.EFF		95.8		NOM. P.F.		0.85									
NEMA MIN.EFF		95.4		MAX. KVAR		45.2		NEMA MIN.EFF		95.0														
General purpose use on industrial machinery installed in damp, dusty or dirty environments. These motors are designed for use in hazardous locations defined by class and group. Hernando, MS 38632												CC041B												





PEXP447TC-200-4

EXPLOSION PROOF ELECTRIC MOTOR

NEMA PREMIUM EFFICIENCY

TOTALLY ENCLOSED FAN COOLED; EXPLOSION PROOF ENCLOSURE - C-FLANGE WITH FEET


CLASS I DIVISION I GROUP C & D; CLASS II DIVISION I GROUP F & G

T3C, with Ambient Temperature Rating: -20° C to 40° C @ 1.15 SF, or 1.0 SF for Inverter Duty

CLASS I DIVISION I GROUP C & D

T2B, with Ambient Temperature Rating: -20° C to 55° C @ 1.15 SF, or 1.0 SF for Inverter Duty

UL NAME PLATE

 LISTED E310089	ELECTRIC MOTOR FOR HAZARDOUS LOCATIONS			NO.XXXXXX
	Classes and Groups	Temp. code	Max. Amb.	Frame
CLASS I DIVISION 1 GROUP C D,	T3C	40°C, 55°C	140/180/210	
CLASS II DIVISION 1 GROUP F G,	T3C	40°C	250~449	
CLASS I DIVISION 1 GROUP C D.	T2B	55°C	250~449	
Inverter Rated				
PWM - Constant Torque - 12 to 60 Hertz, Variable Torque - 6 to 60 Hertz when the input to the PWM is 480V/60Hz;				
PWM - Constant Torque - 10 to 50 Hertz, Variable Torque - 5 to 50 Hertz, when the input to the PWM is 380V/50Hz.				
NEMA MG1-Part 31			8AP.866.1102	

APPLICATIONS:

General purpose use on pumps, fans, blowers, compressors, conveyors, material handling and other industrial machinery installed in damp, dusty or dirty environments. These motors are designed to be used in hazardous locations as defined by class and group.