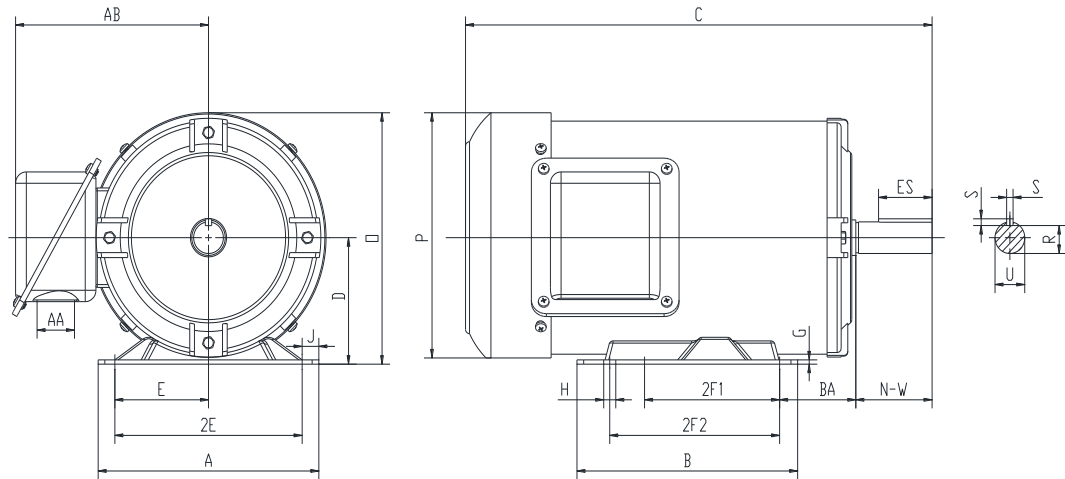




## PR145T1.5M4A

**GENERAL PURPOSE ELECTRIC MOTOR**  
**NEMA PREMIUM EFFICIENCY**  
**ROLLED STEEL CONSTRUCTION**  
**TOTALLY ENCLOSED FAN COOLED**  
**INVERTER RATED (10:1 VT; 5:1 CT)**



### DIMENSIONS

HP	RPM	Frame	MOUNTING														
			A	B	C	D	G	H	J	E	2E	2F1	2F2	O	P	T	BA
1.5	1800	145T	6.5	6.5	11.5	3.5	0.12	0.34	0.5	2.75	5.5	4	5	7	6.8	NA	2.25

Shaft Extension, Key Set						Conduit Box		Bearings		Mount
U	V	R	S	ES	N-W	AA	AB	DE	ODE	
0.875	NA	0.771	0.188	1.41	2.25	1.1	6	6205-2RZC3	6203-2RZC3	F1

**BEARING LUBRICATION:** The bearings come lubricated with Mobil Polyrex EM Polyurea Grease.





## PR145T1.5M4A

**GENERAL PURPOSE ELECTRIC MOTOR**  
**NEMA PREMIUM EFFICIENCY**  
**ROLLED STEEL CONSTRUCTION**  
**TOTALLY ENCLOSED FAN COOLED**  
**INVERTER RATED (10:1 VT; 5:1 CT)**

### PERFORMANCE DATA

HP	RPM	Frame	Voltage	Frequency (Hz)	Full Load S.F.	Insulation Class	NEMA Design	Slip (%)	NEMA Code	Enclosure Type	IP Rating	Max. Ambient
1.5	1750	145T	230/460	60	1.15	F	B	2.8	M	TEFC	55	40 °C

Amps (460V)			Efficiency (%)			Power Factor			Torque (ft-lb)			DE Bearing	ODE Bearing	Connection	Weight (lbs.)
FLA	LRA		100%	75%	50%	100%	75%	50%	FLT	LRT %	BDT %				
2.2	15.5	86.5	87.4	84.8	81.2	0.76	0.68	0.56	4.53	324	433	6205-2RZC3	6203-2RZC3	9 Lead 2Y/Y	36

\*Usable at 208 Volts

### NAME PLATE

		THREE PHASE AC INDUCTION MOTOR					
CAT NO:	PR145T1.5M4A	FRAME	145T	PH	3	230V 	
HZ	60	S.F.	1.15	ENCL	TEFC	IP	55
HP	1.5	RPM	1750	DUTY	CONT	DES	B
VOLT	230/460	AMB	40 °C	INS	F	460V 	
FLA	4.4/2.2	DE BRG	6205-2RZC3				
CODE	M	P.F.	0.76	ODE BRG	6203-2RZC3		
EFF	86.5	MIN	84.0	LBS	36		
CONNECTION	9 Lead 2Y/Y	SER NO.					
Hernando, MS www.naemotors.com					<b>CC340B</b>		

### APPLICATIONS:

General purpose use on pumps, fans, blowers, compressors, conveyors, material handling and other industrial machinery installed in damp, dusty or dirty environments.