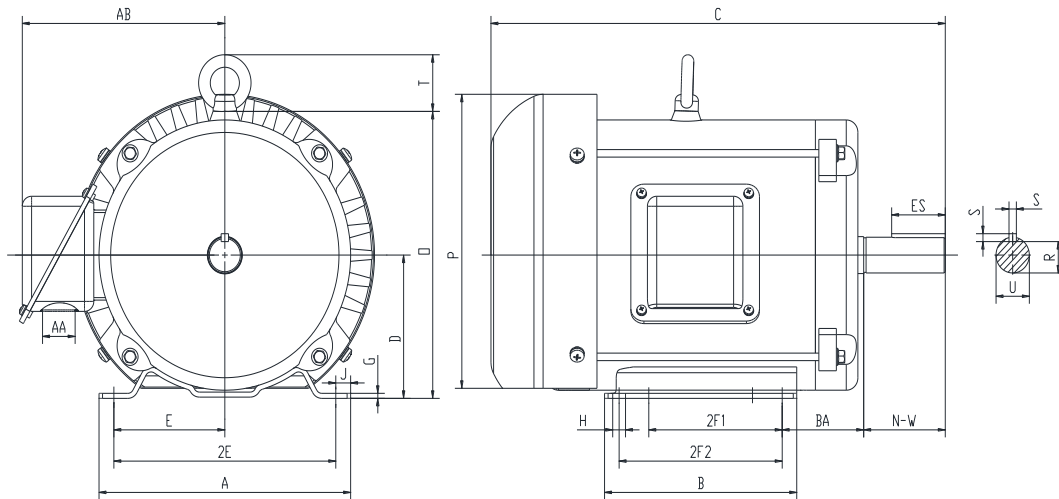




## PR215T10M4A

**GENERAL PURPOSE ELECTRIC MOTOR**  
**NEMA PREMIUM EFFICIENCY**  
**ROLLED STEEL CONSTRUCTION**  
**TOTALLY ENCLOSED FAN COOLED**  
**INVERTER RATED (10:1 VT; 5:1 CT)**



### DIMENSIONS

| HP | RPM  | Frame | MOUNTING |     |    |      |      |      |      |      |     |     |     |    |      |     |     |
|----|------|-------|----------|-----|----|------|------|------|------|------|-----|-----|-----|----|------|-----|-----|
|    |      |       | A        | B   | C  | D    | G    | H    | J    | E    | 2E  | 2F1 | 2F2 | O  | P    | T   | BA  |
| 10 | 1800 | 215T  | 10.4     | 8.5 | 19 | 5.25 | 0.16 | 0.41 | 0.95 | 4.25 | 8.5 | 5.5 | 7   | 10 | 10.6 | 1.2 | 3.5 |

| Shaft Extension, Key Set |    |       |       |      |      | Conduit Box |     | Bearings   |            | Mount |
|--------------------------|----|-------|-------|------|------|-------------|-----|------------|------------|-------|
| U                        | V  | R     | S     | ES   | N-W  | AA          | AB  | DE         | ODE        |       |
| 1.375                    | NA | 1.201 | 0.312 | 2.41 | 3.38 | 1.38        | 8.1 | 6307-2RZC3 | 6206-2RZC3 | F1    |

**BEARING LUBRICATION:** The bearings come lubricated with Mobil Polyrex EM Polyurea Grease.





## PR215T10M4A

**GENERAL PURPOSE ELECTRIC MOTOR**  
**NEMA PREMIUM EFFICIENCY**  
**ROLLED STEEL CONSTRUCTION**  
**TOTALLY ENCLOSED FAN COOLED**  
**INVERTER RATED (10:1 VT; 5:1 CT)**

### PERFORMANCE DATA

| HP | RPM  | Frame | Voltage     | Frequency (Hz) | Full Load S.F. | Insulation Class | NEMA Design | Slip (%) | NEMA Code | Enclosure Type | IP Rating | Max. Ambient |
|----|------|-------|-------------|----------------|----------------|------------------|-------------|----------|-----------|----------------|-----------|--------------|
| 10 | 1770 | 215T  | 208-230/460 | 60             | 1.15           | F                | B           | 1.7      | H         | TEFC           | 55        | 40 °C        |

| Amps (460V) |      | Efficiency (%) |      |      | Power Factor |      |      | Torque (ft-lb) |       |       | DE Bearing | ODE Bearing | Connection  | Weight (lbs.) |
|-------------|------|----------------|------|------|--------------|------|------|----------------|-------|-------|------------|-------------|-------------|---------------|
| FLA         | LRA  | 100%           | 75%  | 50%  | 100%         | 75%  | 50%  | FLT            | LRT % | BDT % | 6307-2RZC3 | 6206-2RZC3  | 9 Lead 2Y/Y | 150           |
| 12.9        | 77.2 | 91.7           | 92.1 | 91.2 | 0.79         | 0.74 | 0.65 | 29.77          | 203   | 277   |            |             |             |               |

### NAME PLATE

|  |                | THREE PHASE AC INDUCTION MOTOR |      |         |            |     |    |  |  |               |  |  |  |  |
|--|----------------|--------------------------------|------|---------|------------|-----|----|--|--|---------------|--|--|--|--|
| CAT NO: PR215T10M4A  |                | FRAME                          | 215T | PH      | 3          |     |    |  |  |               |  |  |  |  |
| HZ   | 60             | S.F.                           | 1.15 | ENCL    | TEFC       | IP  | 55 |  |  |               |  |  |  |  |
| HP   | 10             | RPM                            | 1770 | DUTY    | CONT       | DES | B  |  |  |               |  |  |  |  |
| VOLT   | 208-230/460    |                                |      | AMB     | 40 °C      | INS | F  |  |  |               |  |  |  |  |
| FLA  | 27.6-25.8/12.9 |                                |      | DE BRG  | 6307-2RZC3 |     |    |  |  |               |  |  |  |  |
| CODE   | H              | P.F.                           | 0.79 | ODE BRG | 6206-2RZC3 |     |    |  |  |               |  |  |  |  |
| EFF  | 91.7           | MIN                            | 90.2 | LBS     | 150        |     |    |  |  |               |  |  |  |  |
| CONNECTION   | 9 Lead 2Y/Y    |                                |      | SER NO. |            |     |    |  |  |               |  |  |  |  |
| Hernando, MS<br><a href="http://www.naemotors.com">www.naemotors.com</a> |                |                                |      |         |            |     |    |  |  | <b>CC340B</b> |  |  |  |  |

### APPLICATIONS:

General purpose use on pumps, fans, blowers, compressors, conveyors, material handling and other industrial machinery installed in damp, dusty or dirty environments.