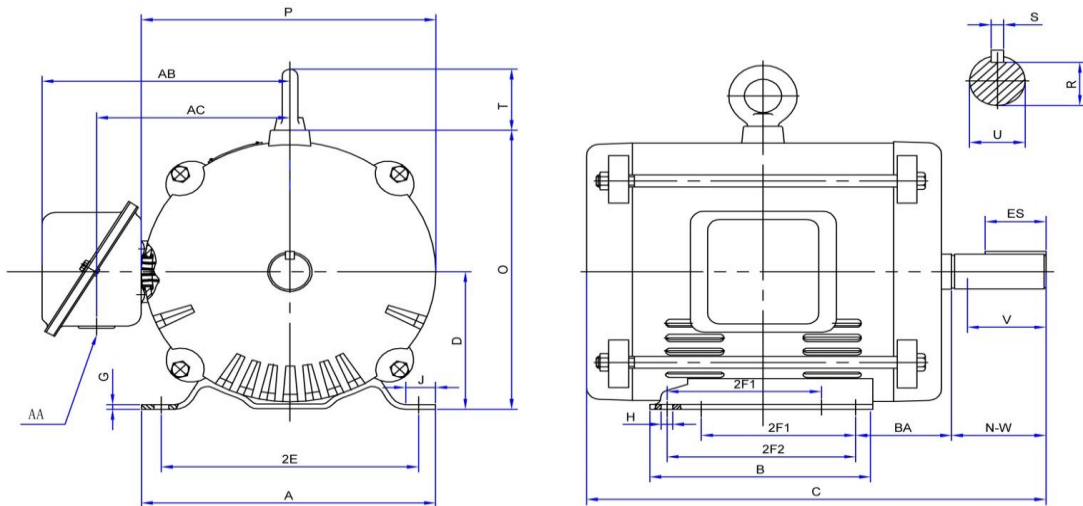




PR256T20M4A-ODP

GENERAL PURPOSE ELECTRIC MOTOR
NEMA PREMIUM EFFICIENCY
ROLLED STEEL CONSTRUCTION
OPEN DRIP PROOF ENCLOSURE
INVERTER RATED (10:1 VT; 5:1 CT)



DIMENSIONS

HP	RPM	Frame	MOUNTING														
			A	B	C	D	G	H	J	E	2E	2F1	2F2	O	P	T	BA
20	1800	256T	11.3	11.3	20.67	6.25	0.2	0.55	1.38	5	10	8.26	10	12	11.4	NA	4.25

Shaft Extension, Key Set						Conduit Box		Bearings		Mount
U	V	R	S	ES	N-W	AA	AB	DE	ODE	
1.625	3.7	1.416	0.375	2.91	4	1.38	9.6	6309-2RZC3	6208-2RZC3	F1

BEARING LUBRICATION: The bearings come lubricated with Mobil Polyrex EM Polyurea Grease. It is recommended that you add some additional lubrication when the motor is installed.

Three options (brands) for suitable lubrication include, but are not limited to, the following:

- 1.) Mobil Polyrex EM
- 2.) Citco Polyurea MP
- 3.) Conoco Phillips Polytac EP





PR256T20M4A-ODP






GENERAL PURPOSE ELECTRIC MOTOR
NEMA PREMIUM EFFICIENCY
ROLLED STEEL CONSTRUCTION
OPEN DRIP PROOF ENCLOSURE
INVERTER RATED (10:1 VT; 5:1 CT)

PERFORMANCE DATA

HP	RPM	Frame	Voltage	Frequency (Hz)	Full Load S.F.	Insulation Class	NEMA Design	Slip (%)	NEMA Code	Enclosure Type	IP Rating	Max. Ambient
20	1750	256T	208-230/460	60	1.15	F	B	2.8	G	ODP	23	40 °C

Amps (460V)		Efficiency (%)			Power Factor			Torque (ft-lb)			DE Bearing	ODE Bearing	Connection	Weight (lbs.)
FLA	LRA	100%	75%	50%	100%	75%	50%	FLT	LRT %	BDT %	6309-2RZC3	6208-2RZC3	9 Lead 2Y/Y	230
26	174	93.0	93.1	92.7	0.78	0.82	0.74	59.6	225	222				

NAME PLATE

		THREE PHASE AC INDUCTION MOTOR					
CAT NO: PR256T20M4A-ODP		FRAME	256T	PH	3		
HZ	60	S.F.	1.15	ENCL	ODP	IP	23
HP	20	RPM	1750	DUTY	CONT	DES	B
VOLT	208-230/460		AMB	40 °C	INS	F	
FLA	57-52/26		DE BRG	6309-2RZC3			
CODE	G	P.F.	0.78	ODE BRG	6208-2RZC3		
EFF	93.0	MIN	91.7	LBS	230		
CONNECTION	9 Lead 2Y/Y		SER NO.				
Hernando, MS www.naemotors.com					CC099B		

APPLICATIONS:

General purpose use on pumps, fans, blowers, compressors, conveyors, material handling and other industrial machinery installed in damp, dusty or dirty environments.