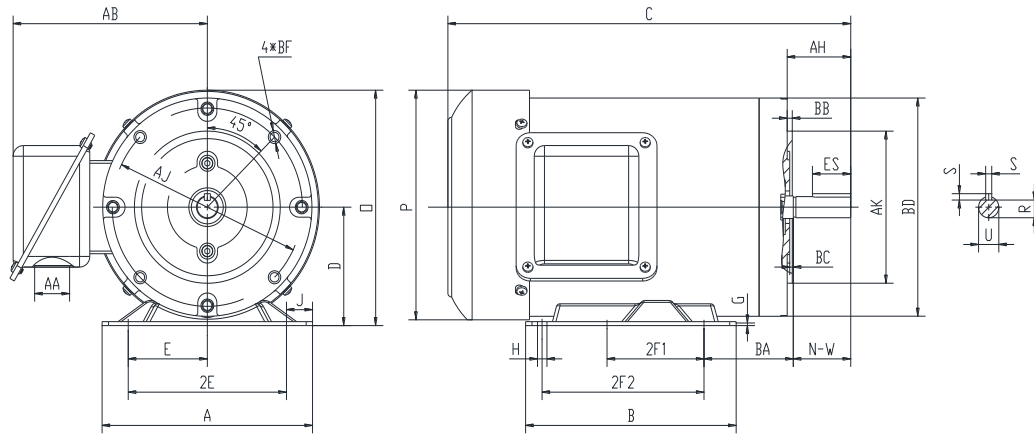




## PR56C1M2A-575V

**GENERAL PURPOSE ELECTRIC MOTOR**  
**NEMA PREMIUM EFFICIENCY**  
**ROLLED STEEL CONSTRUCTION**  
**TOTALLY ENCLOSED FAN COOLED**  
**INVERTER RATED (10:1 VT; 5:1 CT)**



### DIMENSIONS

HP	RPM	Frame	MOUNTING														
			A	B	C	D	G	H	J	E	2E	2F1	2F2	O	P	T	BA
1	3600	56C	6.3	4	10.7	3.5	0.12	0.34	0.71	2.44	4.88	3	NA	7	6.8	NA	2.75

FLANGE							Shaft Extension, Key Set						
AH	AJ	AK	BB	BC	BD	BF	U	V	R	S	ES	N-W	
2.06	5.875	4.5	0.16	0.19	6.46	4*3/8-16	0.625	NA	0.517	0.188	1.41	1.88	

Conduit Box		Bearings		Mount
AA	AB	DE	ODE	
1.1	6	6203-2RZC3	6203-2RZC3	F1

**BEARING LUBRICATION:** The bearings come lubricated with Mobil Polyrex EM Polyurea Grease.





## PR56C1M2A-575V

**GENERAL PURPOSE ELECTRIC MOTOR**  
**NEMA PREMIUM EFFICIENCY**  
**ROLLED STEEL CONSTRUCTION**  
**TOTALLY ENCLOSED FAN COOLED**  
**INVERTER RATED (10:1 VT; 5:1 CT)**

### PERFORMANCE DATA

HP	RPM	Frame	Voltage	Frequency (Hz)	Full Load S.F.	Insulation Class	NEMA Design	Slip (%)	NEMA Code	Enclosure Type	IP Rating	Max. Ambient
1	3510	56C	575	60	1.15	F	B	2.5	N	TEFC	55	40 °C

Amps (575V)		Efficiency (%)			Power Factor			Torque (ft-lb)			DE Bearing	ODE Bearing	Connection	Weight (lbs.)
FLA	LRA	100%	75%	50%	100%	75%	50%	FLT	LRT %	BDT %	6203-2RZC3	6203-2RZC3	3 Lead Y	24
1.1	9.9	78.1	78.5	72.7	0.82	0.76	0.66	1.51	384	439				

### NAME PLATE

		<b>THREE PHASE AC INDUCTION MOTOR</b>									
CAT NO:	PR56C1M2A-575V	FRAME	56C	PH	3		<b>575 V Wye</b> 				
HZ	60	S.F.	1.15	ENCL	TEFC	IP					55
HP	1	RPM	3510	DUTY	CONT	DES					B
VOLT	575		AMB	40 °C	INS	F					
FLA	1.1		DE BRG	6203-2RZC3							
CODE	N	P.F.	0.82	ODE BRG	6203-2RZC3						
EFF	78.1	MIN	74.0	LBS	24						
CONNECTION	3 Lead Y		SER NO.								
Hernando, MS <a href="http://www.naemotors.com">www.naemotors.com</a>					<b>CC340B</b>						

### APPLICATIONS:

General purpose use on pumps, fans, blowers, compressors, conveyors, material handling and other industrial machinery installed in damp, dusty or dirty environments.