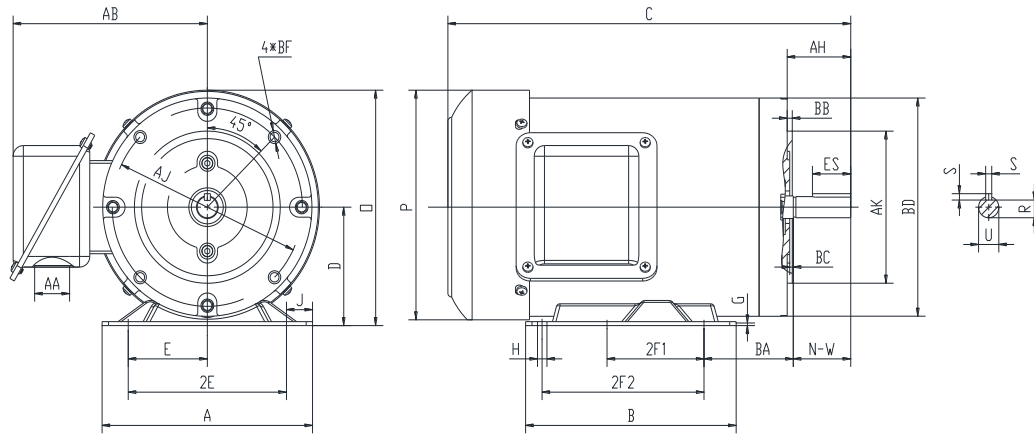


## PR56C2M2A-575V

GENERAL PURPOSE ELECTRIC MOTOR  
 NEMA PREMIUM EFFICIENCY  
 ROLLED STEEL CONSTRUCTION  
 TOTALLY ENCLOSED FAN COOLED  
 INVERTER RATED (10:1 VT; 5:1 CT)



### DIMENSIONS

HP	RPM	Frame	MOUNTING														
			A	B	C	D	G	H	J	E	2E	2F1	2F2	O	P	T	BA
2	3600	56C	6.3	4	12.5	3.5	0.12	0.34	0.71	2.44	4.88	3	NA	7	6.8	NA	2.75

FLANGE							Shaft Extension, Key Set						
AH	AJ	AK	BB	BC	BD	BF	U	V	R	S	ES	N-W	
2.06	5.875	4.5	0.16	0.19	6.46	4*3/8-16	0.625	NA	0.517	0.188	1.41	1.88	

Conduit Box		Bearings		Mount
AA	AB	DE	ODE	
1.1	6	6203-2RZC3	6203-2RZC3	F1

**BEARING LUBRICATION:** The bearings come lubricated with Mobil Polyrex EM Polyurea Grease.



## PR56C2M2A-575V

**GENERAL PURPOSE ELECTRIC MOTOR**  
**NEMA PREMIUM EFFICIENCY**  
**ROLLED STEEL CONSTRUCTION**  
**TOTALLY ENCLOSED FAN COOLED**  
**INVERTER RATED (10:1 VT; 5:1 CT)**

### PERFORMANCE DATA

HP	RPM	Frame	Voltage	Frequency (Hz)	Full Load S.F.	Insulation Class	NEMA Design	Slip (%)	NEMA Code	Enclosure Type	IP Rating	Max. Ambient
2	3500	56C	575	60	1.15	F	B	2.8	M	TEFC	55	40 °C

Amps (575V)		Efficiency (%)			Power Factor			Torque (ft-lb)			DE Bearing	ODE Bearing	Connection	Weight (lbs.)
FLA	LRA	100%	75%	50%	100%	75%	50%	FLT	LRT %	BDT %	6203-2RZC3	6203-2RZC3	3 Lead Y	33
2.1	17.2	85.5	86.4	83.9	0.87	0.82	0.74	3.03	373	424				

### NAME PLATE

		THREE PHASE AC INDUCTION MOTOR										
CAT NO: PR56C2M2A-575V		FRAME	56C	PH	3		575 V Wye 					
HZ	60	S.F.	1.15	ENCL	TEFC	IP				55		
HP	2	RPM	3500	DUTY	CONT	DES				B		
VOLT 575		AMB	40 °C	INS	F							
FLA 2.1		DE BRG	6203-2RZC3									
CODE	M	P.F.	0.87	ODE BRG	6203-2RZC3							
EFF	85.5	MIN	82.5	LBS	33							
CONNECTION 3 Lead Y		SER NO.										
Hernando, MS www.naemotors.com								<b>CC340B</b>				

### APPLICATIONS:

General purpose use on pumps, fans, blowers, compressors, conveyors, material handling and other industrial machinery installed in damp, dusty or dirty environments.