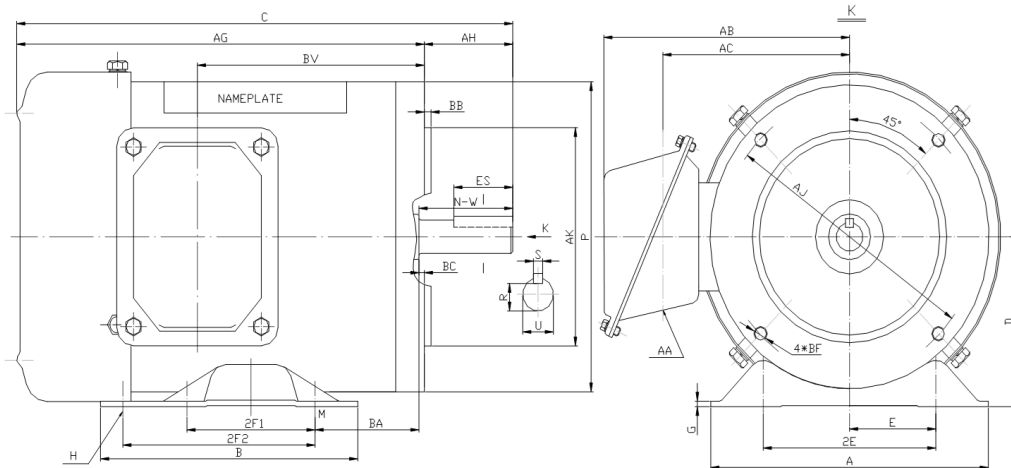


## SS56C1/2M-6

**WASHDOWN DUTY MOTOR**  
**HIGH EFFICIENCY / EISA COMPLIANT**  
**STAINLESS STEEL CONSTRUCTION - C-FLANGE WITH FEET**  
**TOTALLY ENCLOSED FAN COOLED - IP66 CONSTRUCTION**  
**INVERTER DUTY 10:1 CT; 20:1 VT - NEMA MG1 PART 31**



### DIMENSIONS

| HP  | RPM  | Frame | MOUNTING |   |       |     |       |           |      |      |     |     |     |      |      |
|-----|------|-------|----------|---|-------|-----|-------|-----------|------|------|-----|-----|-----|------|------|
|     |      |       | A        | B | C     | D   | G     | H         | E    | 2E   | 2F1 | 2F2 | P   | AG   | BA   |
| 1/2 | 1200 | 56C   | 6.5      | 5 | 11.59 | 3.5 | 0.118 | 1.22*0.34 | 2.44 | 4.88 | 3   | NA  | 6.5 | 9.53 | 2.75 |

| FLANGE |       |     |      |       |          | Shaft Extension, Key Set |       |       |      |      | Conduit Box |      |      |     |
|--------|-------|-----|------|-------|----------|--------------------------|-------|-------|------|------|-------------|------|------|-----|
| AH     | AJ    | AK  | BB   | BC    | BF       | U                        | R     | S     | ES   | N-W  | AA          | AB   | AC   | BV  |
| 2.06   | 5.875 | 4.5 | 0.16 | -0.19 | 4*3/8-16 | 0.625                    | 0.517 | 0.188 | 1.41 | 1.88 | 0.86        | 5.75 | 4.25 | 5.3 |

| Bearings |          | Mount |
|----------|----------|-------|
| DE       | ODE      |       |
| 6205-2RS | 6205-2RS | F1    |

**BEARING LUBRICATIONS:** The sealed bearings come lubricated with NEVASTANE XS 80 Grease which complies with FDA Chapter 21 CFR 178.3570



## SS56C1/2M-6

**WASHDOWN DUTY MOTOR**  
**HIGH EFFICIENCY / EISA COMPLIANT**  
**STAINLESS STEEL CONSTRUCTION - C-FLANGE WITH FEET**  
**TOTALLY ENCLOSED FAN COOLED - IP66 CONSTRUCTION**  
**INVERTER DUTY 10:1 CT; 20:1 VT - NEMA MG1 PART 31**

### PERFORMANCE DATA

| HP  | RPM  | Frame | Voltage | Frequency (Hz) | Full Load S.F. | Insulation Class | NEMA Design | Slip (%) | NEMA Code | Enclosure Type | IP Rating | Max. Ambient |
|-----|------|-------|---------|----------------|----------------|------------------|-------------|----------|-----------|----------------|-----------|--------------|
| 1/2 | 1155 | 56C   | 230/460 | 60             | 1.15           | F                | B           | 3.8      | K         | TEFC           | 66        | 40 °C        |

| Amps (460V) |     | Efficiency (%) |      |      | Power Factor |      |      | Torque (ft-lb) |       |       | DE Bearing | ODE Bearing | Connection  | Weight (lbs.) |
|-------------|-----|----------------|------|------|--------------|------|------|----------------|-------|-------|------------|-------------|-------------|---------------|
| FLA         | LRA | 100%           | 75%  | 50%  | 100%         | 75%  | 50%  | FLT            | LRT % | BDT % |            |             |             |               |
| 0.9         | 10  | 80.0           | 76.0 | 69.0 | 0.63         | 0.55 | 0.47 | 2.2            | 255   | 270   | 6205-2RS   | 6205-2RS    | 9 Lead 2Y/Y | 31            |

\*Usable at 208 Volts

### NAME PLATE

|         |      |  |      |      |       |      |      |                    |      |               |      |          |       |  |
|---------|------|--|------|------|-------|------|------|--------------------|------|---------------|------|----------|-------|--|
|         |      | <b>THREE PHASE AC INDUCTION MOTOR</b><br><b>INVERTER DUTY 20:1 VT; 10:1 CT</b> |      |      |       |      |      | Hernando, MS 38632 |      |               |      |          |       |  |
| Model : |      | SS56C1/2M-6  |      |      |       | IP   | 66   | FRAME              | 56C  | LB/WT         | 31   |          |       |  |
| HZ      | 60   | S.F.   | 1.15 | HZ   | 50    | S.F. | 1.0  | NEMA DESIGN        |      | B             |      |          |       |  |
| HP      | 1/2  | RPM  | 1155 | HP   | 1/2   | RPM  | 960  | ENCL.              | TEFC | INS           | F    |          |       |  |
| VOLTS   |      | 230/460  |      |      | VOLTS |      |      | 190/380            |      | DUTY          | CONT | AMB      | 40 °C |  |
| AMPS    |      | 1.8/0.9  |      |      | AMPS  |      |      | 2.2/1.1            |      | DE BRG        |      | 6205-2RS |       |  |
| CODE    | K    | P.F.   | 0.63 | CODE | K     | P.F. | 0.65 | ODE BRG            |      | 6205-2RS      |      |          |       |  |
| EFF     | 80.0 | MIN  | 77.0 | EFF  | 77.0  | MIN  | 74.0 | SER NO.            |      |               |      |          |       |  |
|         |      |  |      |      |       |      |      | CC082A             |      | MADE IN CHINA |      |          |       |  |

Factory Certified for T2B  
 Div 2. Class I, Gr. A , B , C & D  
 and Class II, Gr. F & G

### APPLICATIONS:

Applications include washdown applications, food processing, chemical processing, pharmaceuticals, poultry processing, meat processing, dairy applications, bakeries, snack foods, bottling and extremely corrosive environments.