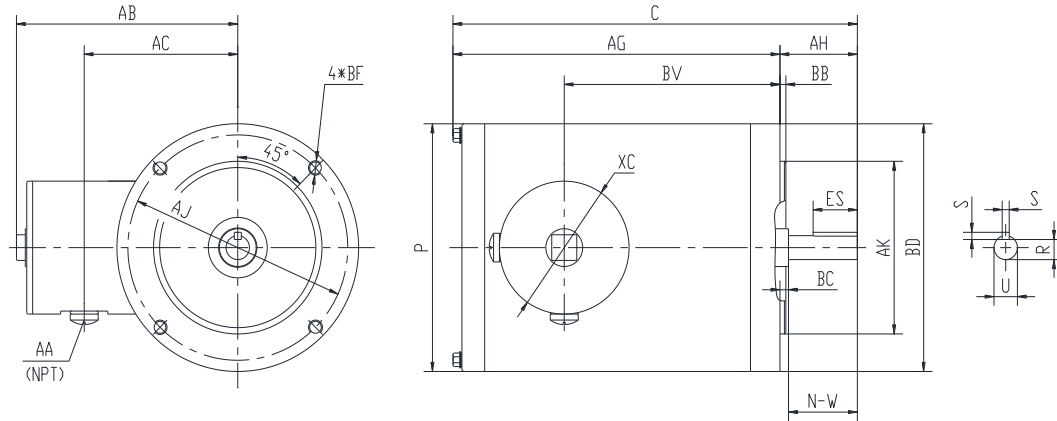




## SS56C1/3M-4-RB-A-NV

**WASHDOWN DUTY MOTOR**  
**HIGH EFFICIENCY / EISA COMPLIANT**  
**STAINLESS STEEL CONSTRUCTION - ROUND BODY (C-FLANGE FOOTLESS)**  
**TOTALLY ENCLOSED NON VENTILATED - IP66 CONSTRUCTION**  
**INVERTER DUTY 10:1 CT; 20:1 VT - NEMA MG1 PART 31**



### DIMENSIONS

HP	RPM	Frame	MOUNTING			FLANGE						
			C	P	AG	AH	AJ	AK	BB	BC	BD	BF
1/3	1800	56C	9.8	6.45	7.74	2.06	5.875	4.5	0.16	-0.19	6.45	4*3/8-16

Shaft Extension, Key Set					Conduit Box				
U	R	S	ES	N-W	AA	AB	AC	BV	XC
0.625	0.517	0.188	1.41	1.88	0.5	5.95	4.5	4.75	3.45

Bearings		Mount
DE	ODE	
6205-2RS	6205-2RS	F1

**BEARING LUBRICATION:** The bearings come lubricated with Mobil Polyrex EM Polyurea Grease.





## SS56C1/3M-4-RB-A-NV

**WASHDOWN DUTY MOTOR**  
**HIGH EFFICIENCY / EISA COMPLIANT**  
**STAINLESS STEEL CONSTRUCTION - ROUND BODY (C-FLANGE FOOTLESS)**  
**TOTALLY ENCLOSED NON VENTILATED - IP66 CONSTRUCTION**  
**INVERTER DUTY 10:1 CT; 20:1 VT - NEMA MG1 PART 31**


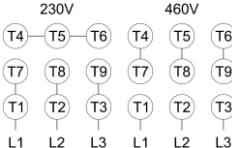



### PERFORMANCE DATA

HP	RPM	Frame	Voltage	Frequency (Hz)	Full Load S.F.	Insulation Class	NEMA Design	Slip (%)	NEMA Code	Enclosure Type	IP Rating	Max. Ambient
1/3	1760	56C	230/460	60	1.15	F	B	2.2	R	TENV	66	40 °C

Amps (460V)		Efficiency (%)			Power Factor			Torque (ft-lb)			DE Bearing	ODE Bearing	Connection	Weight (lbs.)
FLA	LRA	100%	75%	50%	100%	75%	50%	FLT	LRT %	BDT %				
0.7	6.5	74.0	71.0	64.0	0.62	0.53	0.43	1	300	400	6205-2RS	6205-2RS	9 Lead 2Y/Y	28

\*Usable at 208 Volts

### NAME PLATE

		THREE PHASE AC INDUCTION MOTOR						Hernando, MS 38632					
INVERTER DUTY 20:1 VT; 10:1 CT													
Model :	SS56C1/3M-4-RB-A-NV					IP	66	FRAME	56C	LB/WT	28		
HZ	60	S.F.	1.15	HZ	50	S.F.	1.0	NEMA DESIGN	B				
HP	1/3	RPM	1760	HP	1/3	RPM	1450	ENCL.	TENV	INS	F		
VOLTS	230/460			VOLTS	190/380			DUTY	CONT	AMB	40 °C		
AMPS	1.4/0.7			AMPS	1.7/0.85			DE BRG	6205-2RS				
CODE	R	P.F.	0.62	CODE	K	P.F.	0.65	ODE BRG	6205-2RS				
EFF	74.0	MIN	70.0	EFF	70.0	MIN	66.0	SER NO.					
								CC082A		MADE IN CHINA			

Factory Certified for T2B  
 Div 2. Class I, Gr. A , B , C & D  
 and Class II, Gr. F & G

### APPLICATIONS:

Applications include washdown applications, food processing, chemical processing, pharmaceuticals, poultry processing, meat processing, dairy applications, bakeries, snack foods, bottling and extremely corrosive environments.