

## SS56C3/4M-2-RB

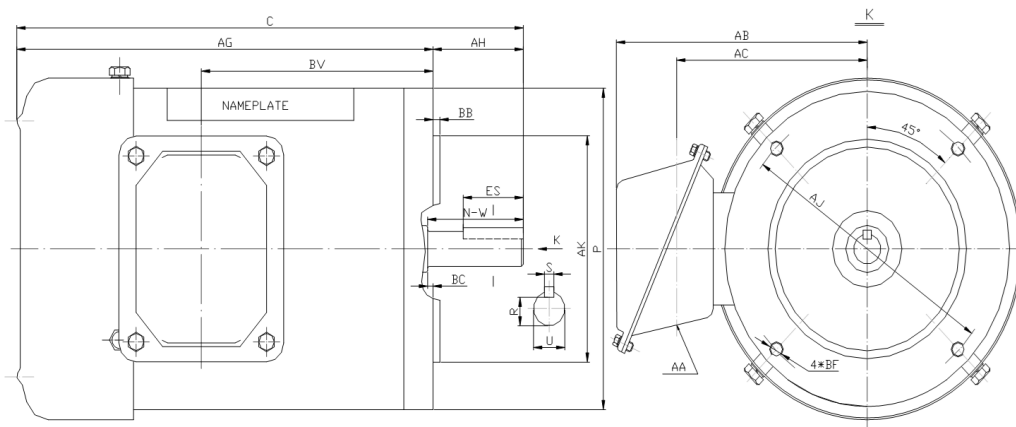
WASHDOWN DUTY MOTOR

HIGH EFFICIENCY / EISA COMPLIANT

STAINLESS STEEL CONSTRUCTION - ROUND BODY (C-FLANGE FOOTLESS)

TOTALLY ENCLOSED FAN COOLED - IP66 CONSTRUCTION

INVERTER DUTY 10:1 CT; 20:1 VT - NEMA MG1 PART 31



### DIMENSIONS

HP	RPM	Frame	MOUNTING									
			C	P	AH	AJ	AK	AG	BA	BB	BC	BF
3/4	3600	56C	12.57	6.5	2.06	5.875	4.5	10.51	N/A	0.16	-0.19	4*3/8-16

Shaft Extension, Key Set					Conduit Box			
U	R	S	ES	N-W	AA	AB	AC	BV
0.625	0.517	0.188	1.41	1.88	0.86	5.75	4.25	6.3

Bearings		Mount
DE	ODE	
6205-2RS	6205-2RS	F1

**BEARING LUBRICATIONS:** The sealed bearings come lubricated with NEVASTANE XS 80 Grease which complies with FDA Chapter 21 CFR 178.3570



## SS56C3/4M-2-RB

**WASHDOWN DUTY MOTOR**

**HIGH EFFICIENCY / EISA COMPLIANT**

**STAINLESS STEEL CONSTRUCTION - ROUND BODY (C-FLANGE FOOTLESS)**

**TOTALLY ENCLOSED FAN COOLED - IP66 CONSTRUCTION**


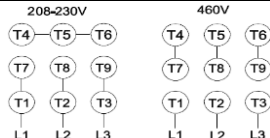



**INVERTER DUTY 10:1 CT; 20:1 VT - NEMA MG1 PART 31**

### PERFORMANCE DATA

HP	RPM	Frame	Voltage	Frequency (Hz)	Full Load S.F.	Insulation Class	NEMA Design	Slip (%)	NEMA Code	Enclosure Type	IP Rating	Max. Ambient
3/4	3500	56C	208-230/460	60	1.15	F	B	2.8	K	TEFC	66	40 °C

Amps (460V)		Efficiency (%)			Power Factor			Torque (ft-lb)			DE Bearing	ODE Bearing	Connection	Weight (lbs.)
FLA	LRA	100%	75%	50%	100%	75%	50%	FLT	LRT %	BDT %				
1.1	12.5	80.0	77.0	70.0	0.90	0.81	0.72	1.1	285	300	6205-2RS	6205-2RS	9 Lead 2Y/Y	33

### NAME PLATE

		THREE PHASE AC INDUCTION MOTOR						Hernando, MS 38632				
INVERTER DUTY 20:1 VT; 10:1 CT												
Model :		SS56C3/4M-2-RB				IP	66	FRAME	56C	LB/WT	33	
HZ	60	S.F.	1.15	HZ	50	S.F.	1.0	NEMA DESIGN		B		
HP	3/4	RPM	3500	HP	3/4	RPM	2880	ENCL.	TEFC	INS	F	
VOLTS		208-230/460			VOLTS		190/380		DUTY	CONT	AMB	40 °C
AMPS		2.3 - 2.2 / 1.1			AMPS		2.6/1.3		DE BRG		6205-2RS	
CODE	K	P.F.	0.90	CODE	K	P.F.	0.91	ODE BRG		6205-2RS		
EFF	80.0	MIN	77.0	EFF	77.0	MIN	74.0	SER NO.				
								CC082A		MADE IN CHINA		
						E310089						

Factory Certified for T2B  
Div 2. Class I, Gr. A , B , C & D  
and Class II, Gr. F & G

### APPLICATIONS:

Applications include washdown applications, food processing, chemical processing, pharmaceuticals, poultry processing, meat processing, dairy applications, bakeries, snack foods, bottling and extremely corrosive environments.