

SS56C3/4M-6-RB

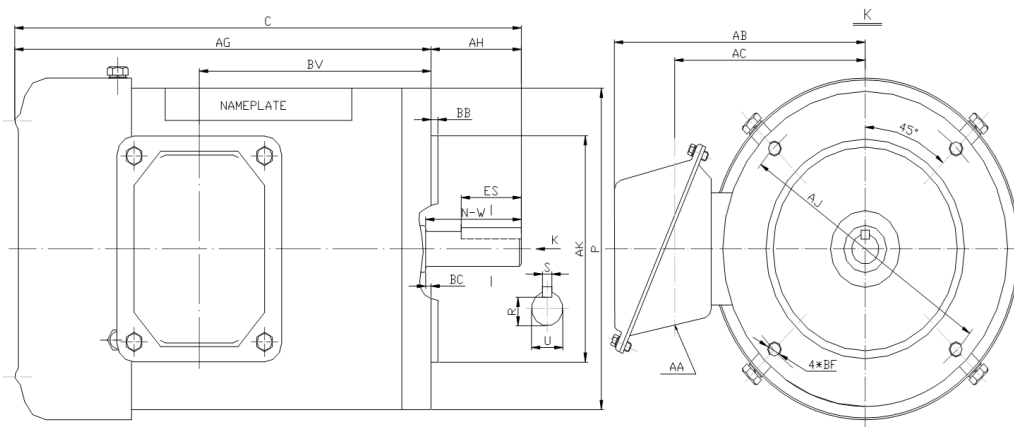
WASHDOWN DUTY MOTOR

HIGH EFFICIENCY / EISA COMPLIANT

STAINLESS STEEL CONSTRUCTION - ROUND BODY (C-FLANGE FOOTLESS)

TOTALLY ENCLOSED FAN COOLED - IP66 CONSTRUCTION

INVERTER DUTY 10:1 CT; 20:1 VT - NEMA MG1 PART 31



DIMENSIONS

| HP | RPM | Frame | MOUNTING | | | | | | | | | |
|-----|------|-------|----------|-----|------|-------|-----|-------|-----|------|-------|----------|
| | | | C | P | AH | AJ | AK | AG | BA | BB | BC | BF |
| 3/4 | 1200 | 56C | 12.57 | 6.5 | 2.06 | 5.875 | 4.5 | 10.51 | N/A | 0.16 | -0.19 | 4*3/8-16 |

| Shaft Extension, Key Set | | | | | Conduit Box | | | |
|--------------------------|-------|-------|------|------|-------------|------|------|-----|
| U | R | S | ES | N-W | AA | AB | AC | BV |
| 0.625 | 0.517 | 0.188 | 1.41 | 1.88 | 0.86 | 5.75 | 4.25 | 6.3 |

| Bearings | | Mount |
|----------|----------|-------|
| DE | ODE | |
| 6205-2RS | 6205-2RS | F1 |

BEARING LUBRICATIONS: The sealed bearings come lubricated with NEVASTANE XS 80 Grease which complies with FDA Chapter 21 CFR 178.3570



SS56C3/4M-6-RB

WASHDOWN DUTY MOTOR

HIGH EFFICIENCY / EISA COMPLIANT

STAINLESS STEEL CONSTRUCTION - ROUND BODY (C-FLANGE FOOTLESS)

TOTALLY ENCLOSED FAN COOLED - IP66 CONSTRUCTION

INVERTER DUTY 10:1 CT; 20:1 VT - NEMA MG1 PART 31

PERFORMANCE DATA

| HP | RPM | Frame | Voltage | Frequency (Hz) | Full Load S.F. | Insulation Class | NEMA Design | Slip (%) | NEMA Code | Enclosure Type | IP Rating | Max. Ambient |
|-----|------|-------|-------------|----------------|----------------|------------------|-------------|----------|-----------|----------------|-----------|--------------|
| 3/4 | 1155 | 56C | 208-230/460 | 60 | 1.15 | F | B | 3.8 | K | TEFC | 66 | 40° C |

| Amps (460V) | | Efficiency (%) | | | Power Factor | | | Torque (ft-lb) | | | DE Bearing | ODE Bearing | Connection | Weight (lbs.) |
|-------------|------|----------------|------|------|--------------|------|------|----------------|-------|-------|------------|-------------|-------------|---------------|
| FLA | LRA | 100% | 75% | 50% | 100% | 75% | 50% | FLT | LRT % | BDT % | | | | |
| 1.85 | 12.5 | 80.0 | 76.0 | 71.0 | 0.65 | 0.58 | 0.50 | 3.3 | 255 | 280 | 6205-2RS | 6205-2RS | 9 Lead 2Y/Y | 34 |

NAME PLATE

| | | | | | | | | | | | | | | | | | | | | | | | |
|--|--|--|--|-----------------|--|------|--|--------------------|--|------|--|-------------------------|--|----------|--|-------------|--|------|--|----------|--|-------|--|
| | | THREE PHASE AC INDUCTION MOTOR INVERTER DUTY 20:1 VT; 10:1 CT | | | | | | Hernando, MS 38632 | | | | | | | | | | | | | | | |
| | | Model : | | SS56C3/4M-6-RB | | | | IP | | 66 | | FRAME 56C | | LB/WT 34 | | | | | | | | | |
| HZ | | 60 | | S.F. | | 1.15 | | HZ | | 50 | | S.F. | | 1.0 | | NEMA DESIGN | | B | | | | | |
| HP | | 3/4 | | RPM | | 1155 | | HP | | 3/4 | | RPM | | 955 | | ENCL. | | TEFC | | INS | | F | |
| VOLTS | | | | 208-230/460 | | | | VOLTS | | | | 190/380 | | | | DUTY | | CONT | | AMB | | 40° C | |
| AMPS | | | | 3.0 - 2.8 / 1.4 | | | | AMPS | | | | 3.4/1.7 | | | | DE BRG | | | | 6205-2RS | | | |
| CODE | | K | | P.F. | | 0.65 | | CODE | | K | | P.F. | | 0.67 | | ODE BRG | | | | 6205-2RS | | | |
| EFF | | 80.0 | | MIN | | 77.0 | | EFF | | 77.0 | | MIN | | 74.0 | | SER NO. | | | | | | | |
| <div style="display: flex; justify-content: space-around;"> <div style="text-align: center;"> <p>208-230V</p> </div> <div style="text-align: center;"> <p>460V</p> </div> </div> | | | | | | | | | | | | CC082A MADE IN CHINA | | | | | | | | | | | |

Factory Certified for T2B
 Div 2. Class I, Gr. A , B , C & D
 and Class II, Gr. F & G

APPLICATIONS:

Applications include washdown applications, food processing, chemical processing, pharmaceuticals, poultry processing, meat processing, dairy applications, bakeries, snack foods, bottling and extremely corrosive environments.