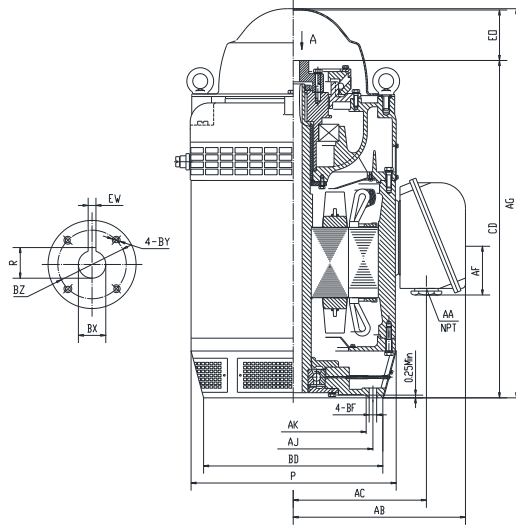




V1-125S4-W40516A-EHT

VERTICAL HOLLOW SHAFT MOTOR
NEMA PREMIUM EFFICIENCY
INVERTER RATED 10:1 VT
EXTRA HIGH THRUST DESIGN
THREE PHASE, OPEN DRIP PROOF (WP1) ENCLOSURE
NON-REVERSE BALL TYPE RATCHET
COUPLING INCLUDED



DIMENSIONS

HP	RPM	Frame	MOUNTING DIMENSIONS													
			BD	AJ	AK	BF	BX	BZ	EW	R	BY	CD	E0 >	AC	AA	AF
125	1788	405TP	16.5	14.75	13.5	0.69	1-1/2	2.125	0.375	1.706	1/4-20	36.94	4.56	13.68	3	5.83

OVERALL DIMENSIONS			BEARINGS	
P	AB	AG	UPPER	LOWER
21	17.3	42.2	7230B/DT	6317

COUPLING: Motor comes with a 1.5" coupling. You may select a different size coupling at no extra charge.

BEARING LUBRICATION: The lower bearing comes lubricated with Mobil Polyrex EM Polyurea Grease.

OIL RESERVOIR: Motor is shipped without oil. The oil capacity is 4.5 quarts.

STEADY BUSHING: Motor is designed to accept a steady bushing. The bore size is 1-1/2 inches.





V1-125S4-W40516A-EHT

VERTICAL HOLLOW SHAFT MOTOR
NEMA PREMIUM EFFICIENCY
INVERTER RATED 10:1 VT
EXTRA HIGH THRUST DESIGN
THREE PHASE, OPEN DRIP PROOF (WP1) ENCLOSURE
NON-REVERSE BALL TYPE RATCHET
COUPLING INCLUDED

PERFORMANCE DATA

HP	RPM	Frame	Voltage	Frequency (Hz)	Full Load S.F.	Insulation Class	NEMA Design	Slip (%)	NEMA Code	Enclosure Type	IP Rating	Max. Ambient	Rating CONT
125	1788	405TP	460	60	1.15	F	B	0.63	H	WP1	23	40° C	S1

Amps (460V)		Efficiency (%)				Power Factor			Torque (ft-lb)			Down Thrust	Angular Contact Bearing	Radial Ball Bearing	Connection	Weight (lbs.)
FLA	LRA	100%	75%	50%	Min.	100%	75%	50%	FLT	LRT %	BDT %		UPPER	LOWER	6 Lead Δ	1513
139	1015	95.4	95.4	94.7	94.5	0.88	0.87	0.84	362	242	255	13400	7230B/DT	6317		

NAME PLATE

		VERTICAL HOLLOW SHAFT EXTRA HIGH THRUST DESIGN						CONNECTION DIAGRAMS		
MODEL		V1-125S4-W40516A-EHT				FRAME		405TP		
Hz	60	S.F.	1.15	ENCL	WP1	DESIGN	B			
HP	125	RPM	1788	INS	F	PHASE	3			
VOLTS	460	FLA	139	MAX.AMBIENT		40° C				
Enclosure	ODP	IP	23	RATING		CONTINUOUS				
NEMA CODE	H	P.F.	0.88	MOTOR WEIGHT		1513	LBS.			
NOM EFF	95.4	MIN EFF	94.5	CONNECTION		6 Lead Δ				
DOWN THRUST		13400		BASE DIAMETER		16.5	INCHES			
UPPER BEARING	7230B/DT	(X 2) EHT		LOWER BEARING		6317				
OIL CAP.	UPPER BEARING	4.5	QTS.	LUBRICATION		MOBIL POLYREX EM				
NON-REVERSE RATCHET - BALL TYPE				SERIAL NO.				PWS Run 		
Specifically designed for use on deep well turbine pump applications.								CC326B		
Hernando, Mississippi		ROTATION				PART WIND START CAPABLE @ 230V				

MOTOR IS SUITABLE FOR INVERTER RATED 10:1 VT

APPLICATIONS:

Specifically designed for use on deep well turbine pump applications. The coupling is equipped with a non-reverse ratchet, which prevents motor rotation from backspin at shutdown. These motors are built to NEMA standards and have special bearing arrangements to carry heavy thrust loads.