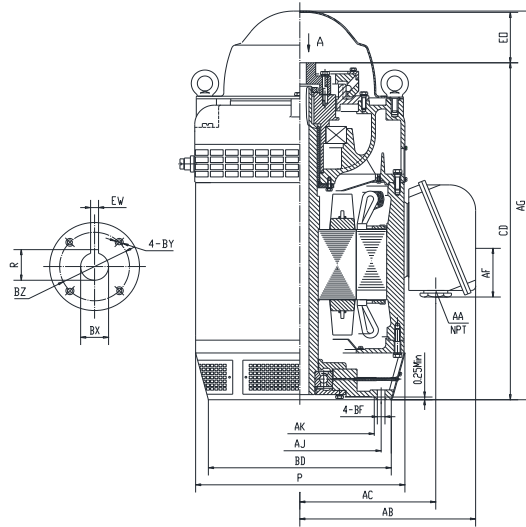




**V2-500S4-W500824A-EHT**

- VERTICAL HOLLOW SHAFT MOTOR
- NEMA PREMIUM EFFICIENCY
- INVERTER DUTY 20:1 VT
- INCLUDES INSULATED BEARING MOUNT - 40 HP AND ABOVE
- EXTRA HIGH THRUST DESIGN
- THREE PHASE, OPEN DRIP PROOF (WP1) ENCLOSURE
- NON-REVERSE BALL TYPE RATCHET
- COUPLING INCLUDED



**DIMENSIONS**

HP	RPM	Frame	MOUNTING DIMENSIONS													
			BD	AJ	AK	BF	BX	BZ	EW	R	BY	CD	E0 >	AC	AA	AF
500	1790	5008P	24.5	14.75	13.5	0.69	2-3/16	3.25	0.5	2.409	3/8-16	53.88	8.1	22.24	2- NPT3	7.87

OVERALL DIMENSIONS			BEARINGS	
P	AB	AG	UPPER	LOWER
28.98	27.38	61.88	7236B/DT	6322

**COUPLING:** Motor comes with a 2.188" coupling. You may select a different size coupling at no extra charge.

**BEARING LUBRICATION:** The lower bearing comes lubricated with Mobil Polyrex EM Polyurea Grease.

**OIL RESERVOIR:** Motor is shipped without oil. The oil capacity is 11.08 quarts.

**STEADY BUSHING:** Motor is designed to accept a steady bushing. The bore size is 2-3/16 inches.





**V2-500S4-W500824A-EHT**

**VERTICAL HOLLOW SHAFT MOTOR**  
**NEMA PREMIUM EFFICIENCY**  
**INVERTER DUTY 20:1 VT**  
**INCLUDES INSULATED BEARING MOUNT - 40 HP AND ABOVE**  
**EXTRA HIGH THRUST DESIGN**  
**THREE PHASE, OPEN DRIP PROOF (WP1) ENCLOSURE**  
**NON-REVERSE BALL TYPE RATCHET**  
**COUPLING INCLUDED**

**PERFORMANCE DATA**

HP	RPM	Frame	Voltage	Frequency (Hz)	Full Load S.F.	Insulation Class	NEMA Design	Slip (%)	NEMA Code	Enclosure Type	IP Rating	Max. Ambient	Rating CONT
500	1790	5008P	460	60	1.15	F	B	0.55	G	WP1	23	40° C	S1

Amps (460V)		Efficiency (%)				Power Factor			Torque (ft-lb)			Down Thrust	Angular Contact Bearing	Radial Ball Bearing	Connection	Weight (lbs.)
FLA	LRA	100%	75%	50%	Min.	100%	75%	50%	FLT	LRT %	BDT %	24000	UPPER	LOWER	6 Lead Δ	4369
544	3645	96.2	95.8	94.4	95.4	0.90	0.88	0.83	1460	168	220		7236B/DT	6322		

**NAME PLATE**

<b>VERTICAL HOLLOW SHAFT</b> <b>EXTRA HIGH THRUST DESIGN</b>										CONNECTION DIAGRAMS	
MODEL V2-500S4-W500824A-EHT					FRAME 5008P					PWS Start	
Hz	60	S.F.	1.15	ENCL	WP1	DESIGN	B				
HP	500	RPM	1790	INS	F	PHASE	3				
VOLTS	460	FLA	544	MAX. AMBIENT			40° C				
Enclosure	ODP	IP	23	RATING			CONTINUOUS		Across The Line		
NEMA CODE	G	P.F.	0.90	MOTOR WEIGHT			4369 LBS.				
NOM EFF	96.2	MIN EFF	95.4	CONNECTION			6 Lead Δ				
DOWN THRUST			24000		BASE DIAMETER			24.5 INCHES		PWS Run	
UPPER BEARING		7236B/DT (X 2) EHT		LOWER BEARING			6322				
OIL CAP. UPPER BEARING		11.08 QTS.		LUBRICATION			MOBIL POLYREX EM				
NON-REVERSE RATCHET - BALL TYPE				SERIAL NO.							
Specifically designed for use on deep well turbine pump applications. Hernando, Mississippi										<b>CC326B</b> <b>E310089</b>	
								ROTATION			
<b>MOTOR IS SUITABLE FOR INVERTER RATED 20:1 VT</b>											

**APPLICATIONS:**

Specifically designed for use on deep well turbine pump applications. The coupling is equipped with a non-reverse ratchet, which prevents motor rotation from backspin at shutdown. These motors are built to NEMA standards and have special bearing arrangements to carry heavy thrust loads.